

PARTS LIST

[MX-J270V]

* All printed circuit boards and its assemblies are not available as service parts.

Area suffix

US ----- Singapore
 UX ----- Saudi Arabia

- Contents -

Exploded view of general assembly and parts list	3-2
CD changer mechanism assembly and parts list	3-5
CD mechanism assembly and parts list	3-8
Cassette mechanism assembly and parts list	3-9
Electrical parts list	3-14
Packing materials and accessories parts list	3-28

Exploded view of general assembly and parts list

■ Parts list (General assembly)

Block No. M1MM

△	Item	Parts number	Parts name	Q'ty	Description	Area
	1	-----	MAIN BOARD	1		
	2	GJ342030140109	JACK 4PIN	1	JA301	
	3	GJ342030160109	JACK 3PIN BLACK	1	JA302	
	4	GJ342040110908	JACK SPK 4PIN	1	JA303	
	5	GJ735000040003	INSULATOR MICA	1		
	6	GJ780000180100	HEAT SINK	1		
	7	GJ780000170100	HEAT SINK	1		
	8	GJ560170040101	BRACKET PCB	2		
	9	GJ560170200101	BRACKET H.SINK	1		
	10	GJ560170100101	BRACKET A	1		
	11	GJ560170110101	BRACKET B	1		
	12	GJ702244301412	SCREW TT3X14	2	IC/HEAT SINK	
	13	GJ702244300812	SCREW TT3X8	2	TR./HEAT SINK	
	14	GJ702244301012	SCREW TT3X10	6	JACK	
	15	-----	DSP BOARD	1		
	16	GJ421038001	RIVET/SNAP	1		
	17	GJ373020021510	DISPLAY	1	FL701	
	18	GJ793000060001	SPONGY	2		
	19	GJ560450170101	DISPLAY BRACKET	1		
	20	-----	DISPLAY BOARD	1		
	21	GJ702244300812	SCREW TT3X8	1	PCB/CHANGER	
	22	-----	VIDEO CD BOARD	1		
	23	GJ560170340101	BRACKET VCD	1		
	24	GJ460170360101	RIVET/SNAP	2		
	25	GJ702244260812	SCREW TT2.6X8	1	VCD BKT/CHANGER	
	26	-----	MALTI-CONTROL BOARD	1		
	27	GJ460450040101	KNOB MODE	1	(TAPE/AUX)	
	28	GJ460450050102	KNOB MODE	1	(CD/AM/FM)	UX
		GJ460450050101	KNOB MODE	1	(CD/AM/FM)	US
	29	GJ460450030102	KNOB CONTROL	1		UX
		GJ460450030101	KNOB CONTROL	1		US
	30	GJ460450060101	INDICATOR MODE	1	(UPPER LEFT)	
	31	GJ460450070101	INDICATOR MODE	1	(LOWER LEFT)	
	32	GJ460450080101	INDICATOR MODE	1	(UPPER RIGHT)	
	33	GJ460450090101	INDICATOR MODE	1	(LOWER RIGHT)	
	34	GJ460450100101	HOLDER LED	1	(UPPER LEFT)	
	35	GJ460450110101	HOLDER LED	1	(LOWER LEFT)	
	36	GJ460450120101	HOLDER LED	1	(UPPER RIGHT)	
	37	GJ460450130101	HOLDER LED	1	(LOWER RIGHT)	
	38	GJ702244260812	SCREW TT2.6X8	8	PCB/PANEL	
	39	GJ702244260812	SCREW TT2.6X8	4	PCB/PANEL	
	40	-----	POWER SW.BOARD	1		
	41	GJ460400070102	KNOB POWER	1		
	42	GJ460400050101	INDICATOR POWER	1		
	43	GJ702244260812	SCREW TT2.6X8	3	PCB/PANEL	
	44	-----	EJECT SW.BOARD	1		
	45	GJ460400060102	KNOB CD EJECT	1		
	46	GJ702244260812	SCREW TT2.6X8	4	PCB/PANEL	

■ Parts list(General assembly)

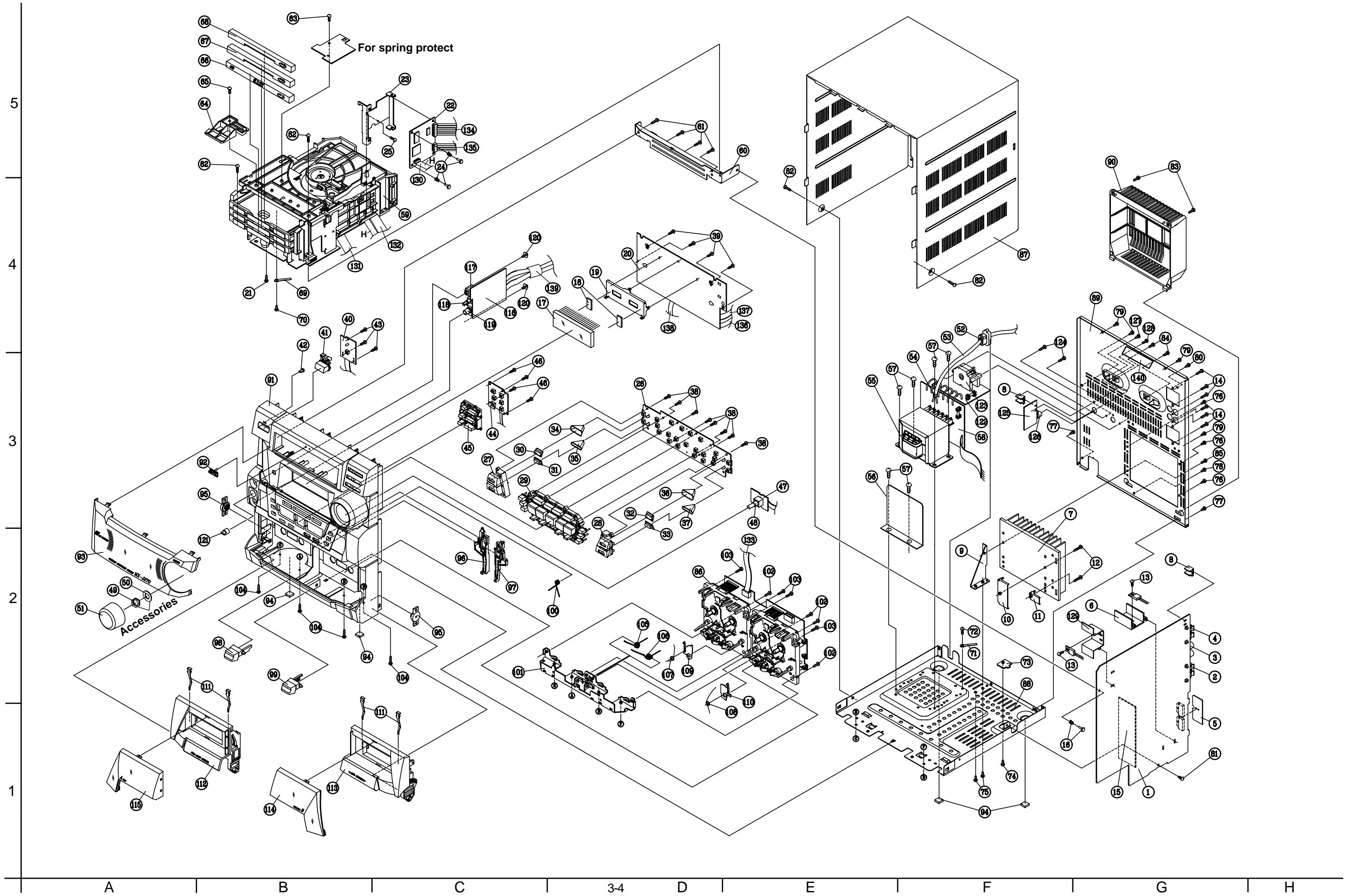
Block No. M1MM

△	Item	Parts number	Parts name	Q'ty	Description	Area
	47	-----	VOLUME BOARD	1		
	48	GJ299000570003	VR ENCODER	1	JS701	
	49	-----	NUT M9	1		
	50	-----	WASHER	1		
	51	GJ460400090101	KNOB VOLUME	1		
△	52	GJ796000030000	CORD BUSHING	1		
△	53	GJ350252002119	AC POWER CORD	1		US
△		GJ350882002113	AC POWER CORD	1		UX
	54	GJ732000010101	CABLE TIE	1		
△	55	GJ336660100013	POWER TRANSF.	1	TP999	
	56	GJ560170060101	SHIELD TRANSF.	1		
	57	GJ702264400612	SCREW TT4X6	6	X'FORMER	
	58	-----	POWER TRANSF. BOARD	1		
	59	-----	CD CHANGER MECHA	1	VC3-21M	
	60	GJ560400020101	BRACKET CHANGER	1		
	61	GJ702244301012	SCREW TT3X10	4	BKT CHANGER	
	62	GJ702244300812	SCREW TT3X8	2	BKT CHANGER	
	63	GJ702244300612	SCREW TT3X6	1	PCB/CHANGER	
	64	GJ460170340101	DISC STOP BKT	1		
	65	GJ702244300612	SCREW TT3X6	1	DISC STOP	
	66	GJ460400010102	CD TRAY COVER	1	(A)	
	67	GJ460400020102	CD TRAY COVER	1	(B)	
	68	GJ460400030102	CD TRAY COVER	1	(C)	
	69	GJ370339701	STPPER WIRE	1	WIRE CLAMP	
	70	GJ702244300612	SCREW TT3X6	1	WIRE CLAMP	
	71	GJ727450540503	SOLDER TAG	1	CLAMP	
	72	GJ702244300612	SCREW TT3X6	1	CLAMP/BOTTOM	
	73	GJ560170290101	BRACKET OPENING	1		
	74	GJ702244300612	SCREW TT3X6	1	BRACKET OPENING	
	75	GJ702244300612	SCREW TT3X6	2	H.SINK/BKT/BOTTOM	
	76	GJ702244300612	SCREW TT3X6	3	HEAT SINK/REAR	
	77	GJ702244300612	SCREW TT3X6	2	TOP/REAR/BOTTOM	
	78	GJ702244300612	SCREW TT3X6	1	REAR/BOTTOM	
	79	GJ702244300612	SCREW TT3X6	4	TOP/REAR CASE	
	80	GJ702244300612	SCREW TT3X6	1	PCB BKT/REAR	
	81	GJ702244300612	SCREW TT3X6	1	BOTTOM CASE/PCB	
	82	GJ702244300652	SCREW TT3X6	2	TOP/BOTTOM CASE	
	83	GJ702244300812	SCREW TT3X8	2	HEAT SINK COVER	
	84	GJ702244300812	SCREW TT3X8	2	CHANGER/REAR	
	85	GJ702244300812	SCREW TT3X8	1	H.SINK BKT/REAR	
	86	-----	CASSETTE MECHA	1	SLC-W6YPM	
	87	560400030101/S/	CASE TOP	1		
	88	GJ560170090201	CASE BOTTOM	1		
	89	GJ560400050319	CASE REAR	1		US
		GJ560400050321	CASE REAR	1		UX
	90	GJ460170280101	HEAT SINK COVER	1		
	91	GJ460450010301	CABINET FRONT	1		
	92	GJ460170330101	LOGO JVC	1		

■ Parts list(General assembly)

Block No. M1MM

△	Item	Parts number	Parts name	Q'ty	Description	Area
	93	GJ460400080104	LENS DISPLAY	1		
	94	GJ763000320106	FELT SHEET	4		
	95	GJ751000030101	DAMPER GEAR	2		
	96	GJ460170310101	LEVER EJECT L	1		UX
		GJ460170310102	LEVER EJECT L	1		US
	97	GJ460170320102	LEVER EJECT R	1		US
		GJ460170320101	LEVER EJECT R	1		UX
	98	GJ460450140101	BUTTON EJECT L	1		
	99	GJ460450150101	BUTTON EJECT R	1		
	100	GJ711001210101	SPRING EJECT LEVER	1		
	101	GJ560170050101	BRACKET HOLDER	1		
	102	GJ702244300812	SCREW TT3X8	4	HOLDER/DECK	
	103	GJ702244301012	SCREW TT3X10	4	DECK/PANEL	
	104	GJ702244300812	SCREW TT3X8	4	HOLDER/PANEL	
	105	GJ711001220100	SPRING CASS DOOR L	1		
	106	GJ711001230100	SPRING CASS DOOR R	1		
	107	GJ711001240102	SPRING A	1		
	108	GJ711001250101	SPRING B	1		
	109	GJ560170180101	BRACKET A	1		
	110	GJ560170190101	BRACKET B	1		
	111	GJ711001200101	SPRING TAPE	4		
	112	GJ460450170101	DOOR CASS L	1		
	113	GJ460450160101	DOOR CASS R	1		
	114	GJ460400230101	LENS CASS R	1		
	115	GJ460400240101	LENS CASS L	1		
	116	-----	MIC/HEAD PHONE BOARD	1		
	117	GJ342010160111	JACK	1	J850	
	118	GJ342010170109	JACK	1	J851	
	119	GJ299000510003	ENCODER VR	1	VR851	
	120	GJ703300800202	SCREW SPTT 3X8	2	JACK/PANEL	
	121	GJ460170140101	KONB MIC	1		
	122	-----	VOL.SEL.BOARD	1		
△	123	GJ390180043221	VO.SELECTOR	1	S999	
	124	GJ702244301012	SCREW TT3X10	2	VO.SELECTOR/SW	
	125	-----	VIBEO BOARD	1		
	126	GJ342030170309	JACK	1	JA304	
	127	GJ702244300612	SCREW TT3X6	1	PCB BKT/REAR	
	128	GJ702244300812	SCREW TT3X8	1	VIDEO OUT	
	129	GJ780000180200	HEAT SINK	1		
	130	GJ353150060110	CABLE 15PIN	1	CN151-CN101	
	131	GJ353190140110	CABLE 19PIN	1	CN309-CN651	
	132	GJ353050150110	CABLE 5PIN	1	CN652-CN308	
	133	GJ353100250110	CABLE 10PIN	1	CN302-CN305	
	134	GJ354004660105	WIRE KIT 12PIN	1	CN102-CN152	
	135	GJ354004700105	WIRE KIT 6PIN	1	CN103-CN310	
	136	GJ353170120110	CABLE 17PIN	1	CN702-CN307	
	137	GJ353130120110	CABLE 13PIN	1	CN701-CN306	
	138	GJ353110150107	FFC CABLE 11PIN	1	CN700-CN306	
	139	GJ371020030004	FERRITE CORE	1	EMC SUPPRESSOR CLAMP	
	140	E406709-001	CAUTION LABEL	1		



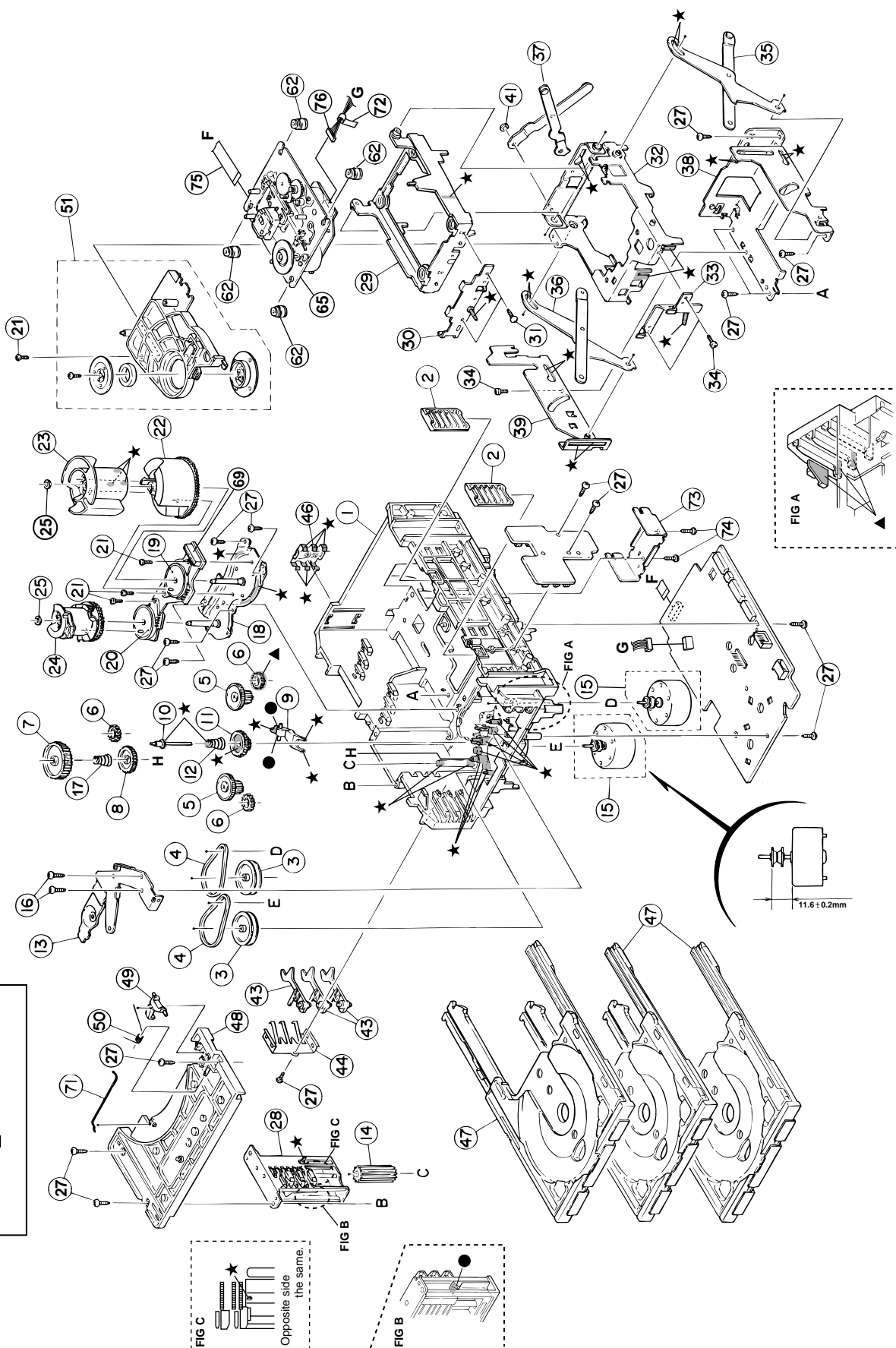
CD changer mechanism assembly and parts list

VC3-21M

Block No. M 2 M M

5
4
3
2
1

Grease ★ = EM-30L
● = EBS0006-009B
▲ = FL-7750



■ Parts list (CD changer mechanism)

Block No. M2MM

△	Item	Parts number	Parts name	Q'ty	Description	Area
	1	VKS1144-003	CHASSIS	1		
	2	VKS3698-003	TRAY GUIDE	2		
	3	VKS5532-003	PULLEY GEAR	2		
	4	VKB3000-164	BELT	2		
	5	VKS5505-003	GEAR B	2		
	6	VKS5506-002	GEAR C	3		
	7	VKS5507-002	CROSS GEAR U	1		
	8	VKS5508-002	CROSS GEAR L	1		
	9	VKS5510-003	SELECT LEVER	1		
	10	VKH5769-001	S.G.SHAFT	1		
	11	VKS5511-002	SELECT GEAR	1		
	12	VKW5155-003	COMP.SPRING	1	FOR SELECT GEAR	
	13	VKM3846-002	GEAR BRACKET	1		
	14	VKS5509-002MM	CYLINDER GEAR	1		
	15	MSN5D257A-SA2	D.C.MOTOR ASS'Y	2		
	16	QYSPSPD2616Z	SCREW	2	FOR MOTOR	
	17	LV40612-001A	COMP.SPRING	1		
	18	VKM3825-00AMM	C.G.BASE ASS'Y	1		
	19	VKZ3172-00ASS	CAM SW. R ASS'Y	1		
	20	VKZ3173-00ASS	CAM SW. L ASS'Y	1		
	21	QYSPST2606Z	SCREW	4		
	22	VKS2263-002MM	CAM R1	1		
	23	VKS2264-002MM	CAM R2	1		
	24	VKS2265-002MM	CAM GEAR L	1		
	25	WDL316050MM	SLIT WASHER	2		
	27	QYSBSF2608Z	T.SCREW	16		
	28	VKS3702-00FMM	DRIVE UNIT	1		
	29	VKS2247-004	MECHA HOLDER A	1		
	30	VKL7767-00B	BRACKET ASS'Y	1		
	31	QYSBSF2606Z	SCREW	2	FOR BRACKET	
	32	VKM3860-00A	M.HOLDER B AS'Y	1		
	33	VKL7802-00C	M.HOLDER C AS'Y	1		
	34	QYSDST2604Z	SCREW	3		
	35	VKL7810-00A	LIFTER ASS'Y R	1		
	36	VKL7811-00A	LIFTER ASS'Y L	1		
	37	VKL7812-00A	LIFTER ASS'Y H	1		
	38	VKL2732-002	LIFTER BASE	1		
	39	VKM3857-001	LIFTER BRACKET	1		
	41	WDL266035-2	SLIT WASHER	1		
	43	VKS5514-002MM	LOCK LEVER	3		
	44	VKY3133-002MM	RETURN SPRING	1		
	46	VKY3134-003MM	CLICK SPRING	1		
	47	VKS2252-00E	TRAY ASS'Y	3		
	48	VKS2250-003	TOP BRACKET	1		
	49	VKS5515-002	S.TRAY STOPPER	1		
	50	VKW5156-004	TORSION SPRING	1		
	51	VKS3703-00G	CLAMPER ASS'Y	1		
	62	LV40761-003A	INSULATOR	4		

■ Parts list (CD changer mechanism)

Block No. M2MM

△	Item	Parts number	Parts name	Q'ty	Description	Area
	65	-----	CD MECHA	1		
	69	QGB2012J1-10	CONNECTOR	1		
	71	VKW5187-001	ROD	1		
	72	VYSA1R2-033	SPACER	1	FOR EWS176-008	
	73	LE30611-001A	C.B HOLDER	1	FOR CD CB	
	74	QYSBSF3008Z	SCREW	2	FOR HOLDER	
	75	QUQ610-1509AJ	CARD WIRE	1	TRAVERSE 15	
	76	EWS176-008	FLAT WIRE	1	TRAVERSE 6	

CD mechanism assembly and parts list

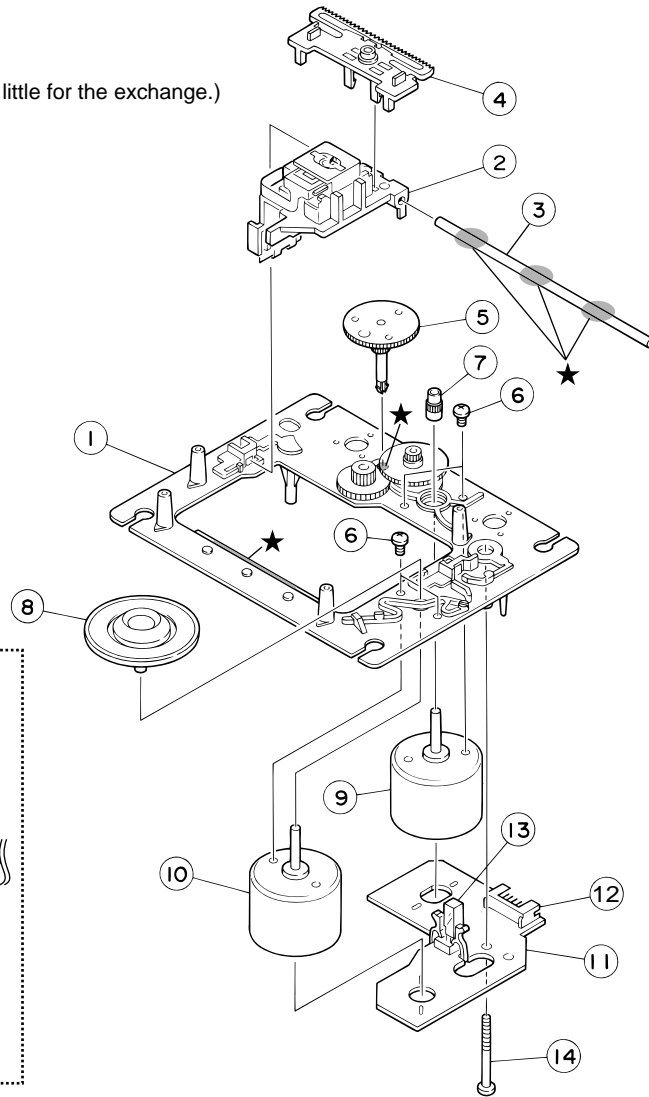
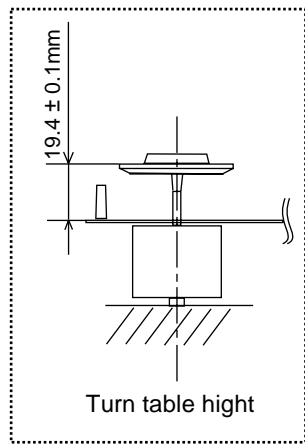
Block No. M 3 M M

Grease Point
 ★ = EBS0006-013B
 (Grease to apply have to be a little for the exchange.)

3

2

1



EXL-M7TMB

A

B

C

D

■ Parts list (CD mechanger)

Block No. M3MM

△	Item	Parts number	Parts name	Q'ty	Description	Area
	1	E102731-221SM	MECHA BASE ASSY	1		
	2	OPTIMA-7B	CD PICK	1		
	3	E406777-002SM	CD SHAFT	1		
	4	LV31002-001A	CD RACK	1		
	5	E307745-441SM	CD GEAR(3)	1		
	6	QYSDSP2003N	SCREW	4		
	7	E406750-442SM	PINION	1		
	8	EPB309173PKA	T.TABLE ASSY	1		
	9	E406784-001	FEED MOTOR	1		
	10	QAR0130-001	SP MOTOR	1		
	11	EMW10190-441	CIR BOARD	1		
	12	QGA2001F1-06	6P PLUG ASSY	1		
	13	QSW0506-001	LEAF SWITCH	1		
	14	E75832-221SS	SPECIAL SCREW	1		

Cassette mechanism assembly and parts list

Block No. M 4 M M

SLC-W6M

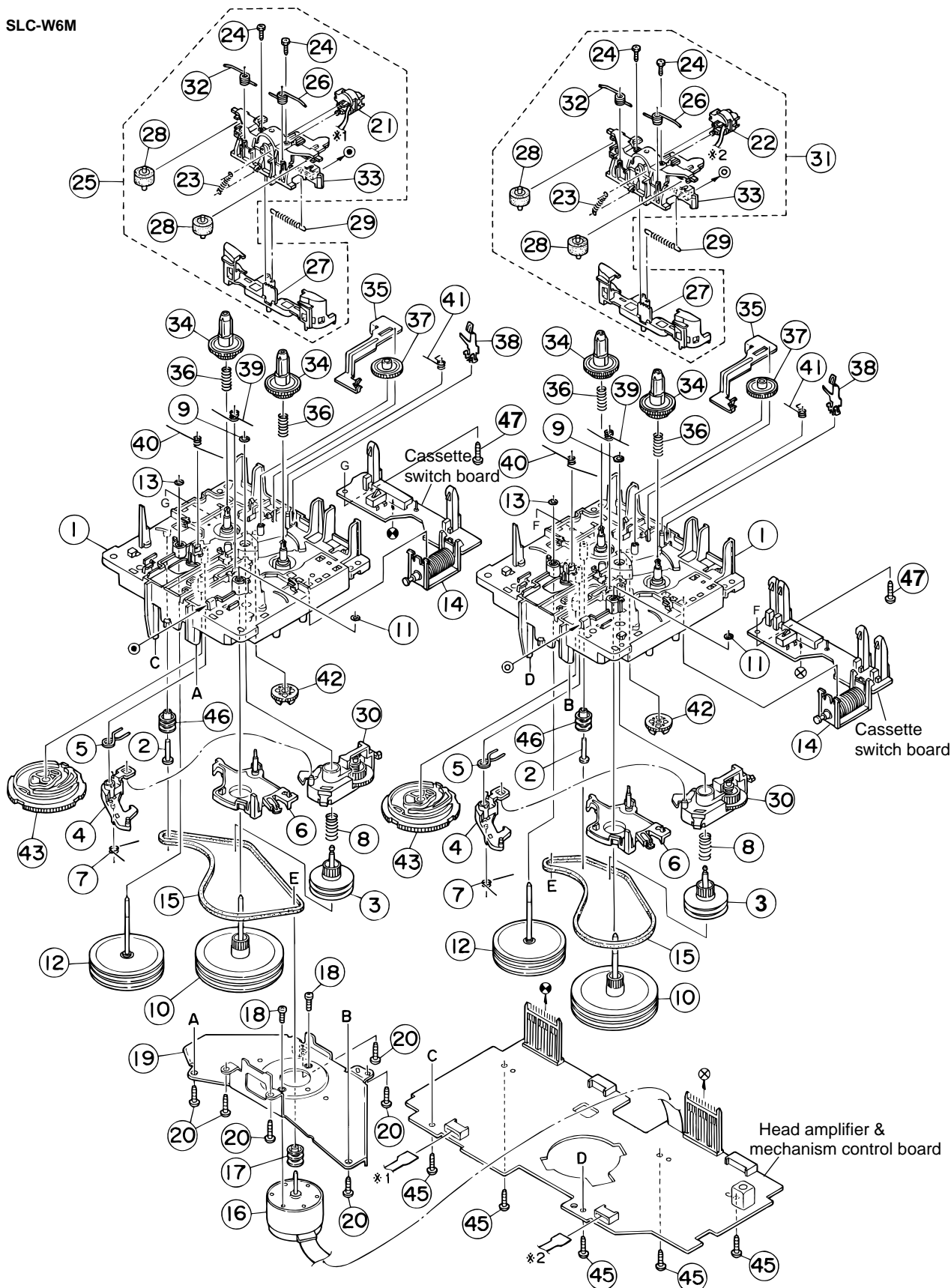
5

4

3

2

1



A

B

C

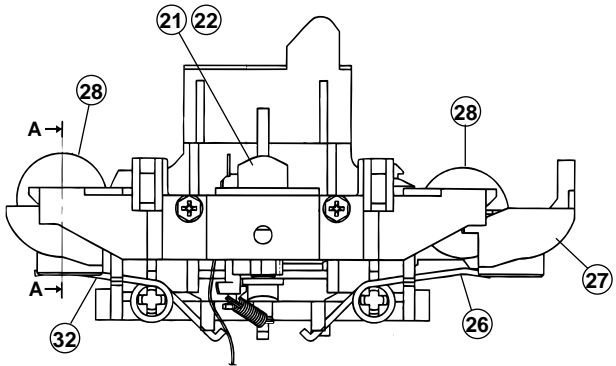
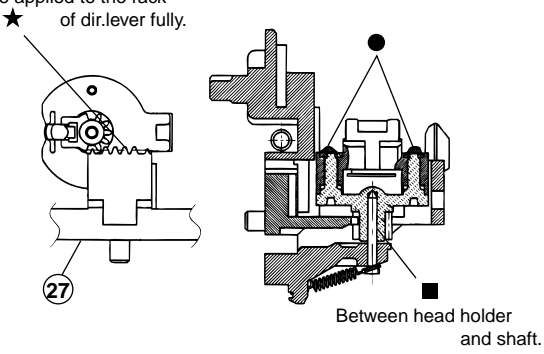
Grease point

Grease	
★	=JC-525
■	=FL-7750
▲	=UD-24
△	=UD-24H2
●	=LX-1349B
◎	=MOBIL-1

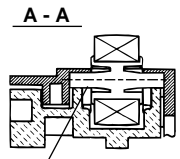
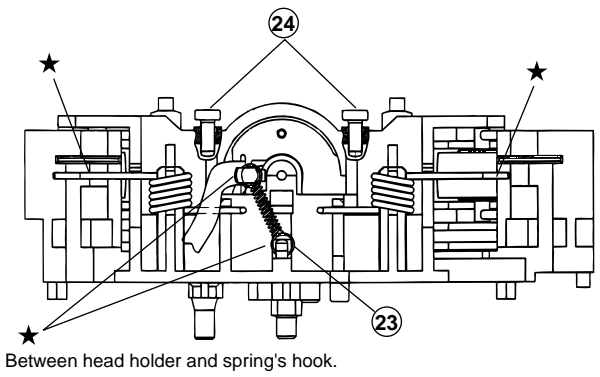
5

4

Should be applied to the rack of dir.lever fully.

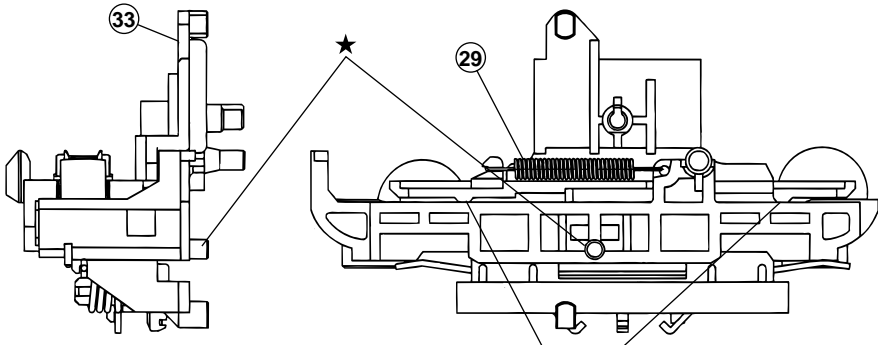


3



Apply oil to the shaft of pinch roller on both sides before assembly.

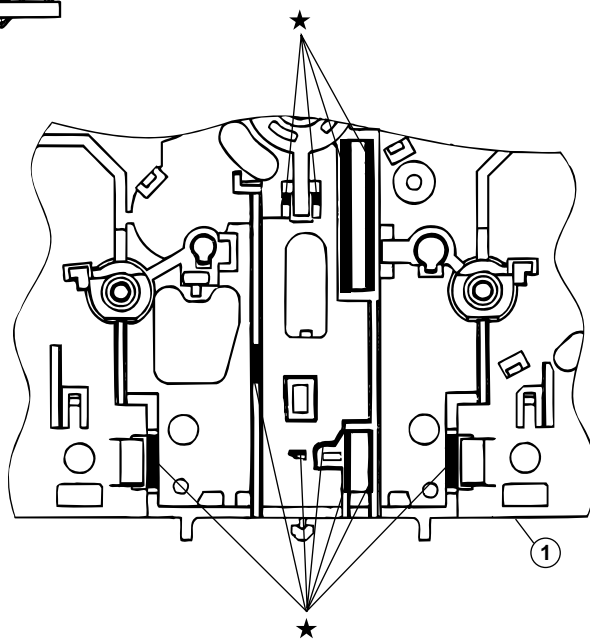
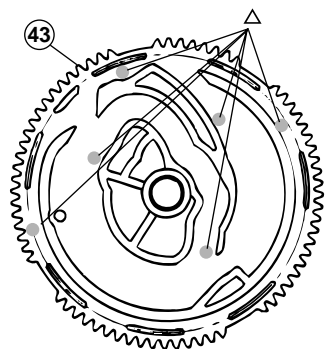
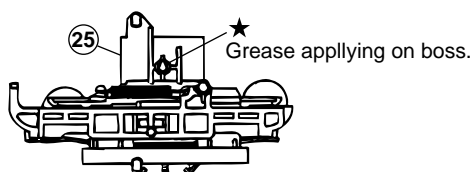
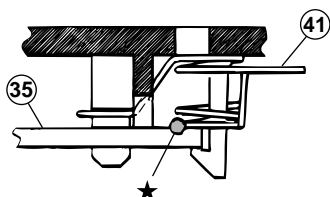
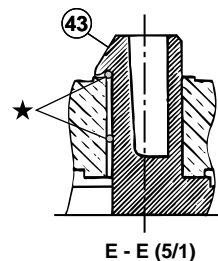
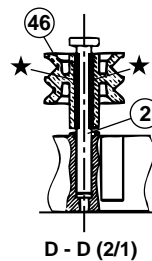
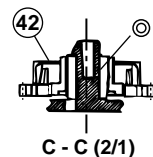
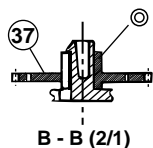
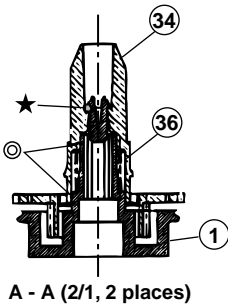
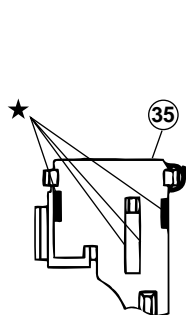
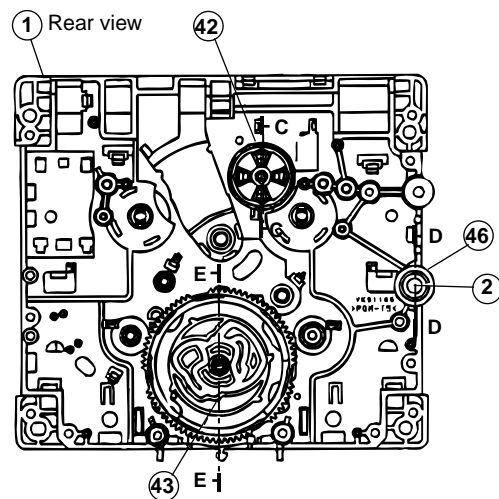
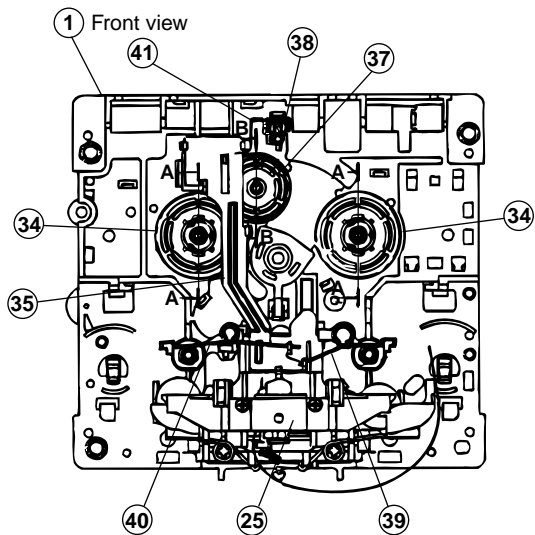
2



★ Between direction lever and head mount base.

1

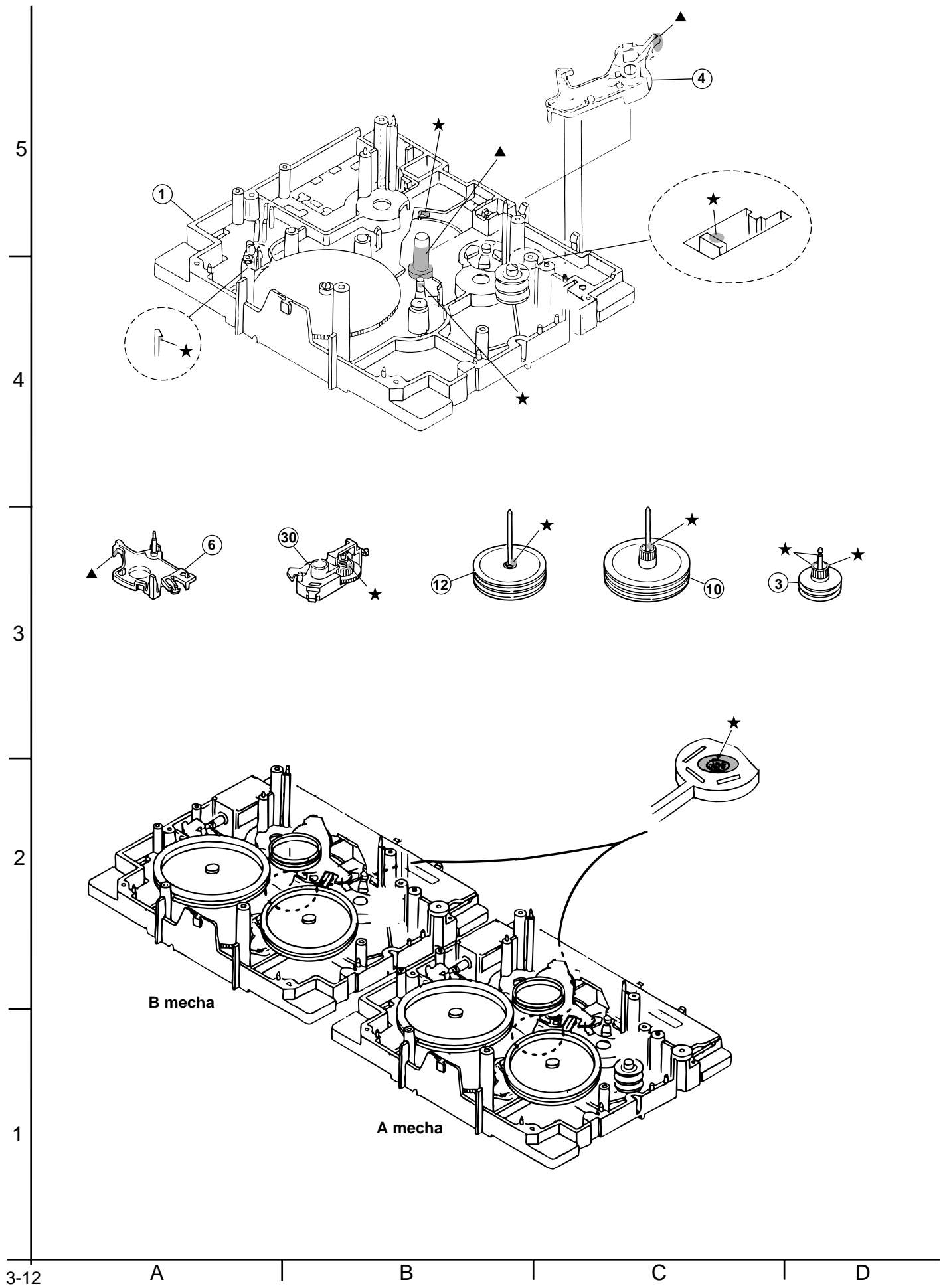
5
4
3
2
1



A

B

C



Parts list (Cassette mechanism)

Block No. M4MM

△	Item	Parts number	Parts name	Q'ty	Description	Area
	1	VKS1165-00H	CHASSIS B.ASS'Y	2		
	2	VKH5786-002	SHAFT	2		
	3	VKS5603-00D	MAIN PULLEY ASY	2		
	4	VKS3785-001MM	FR ARM	2		
	5	VKW5284-002	SWING SPRING	2		
	6	VKS2278-003	TRIGGER ARM	2		
	7	VKW5301-001	FR SPRING	2		
	8	VKW5266-001	ELEVATOR SPRING	2		
	9	WDL214025	WASHER	2		
	10	VKF3205-00B	F.WHEEL ASSY(R)	2		
	11	WDL183425	SLIT WASHER	2		
	12	VKF3207-00B	F.WHEEL ASSY(L)	2		
	13	WDL173525-6	SLIT WASHER	2		
	14	VKZ3174-00A	DC SOLENOID	2		
	15	VKB3000-182	CAPSTAN BELT(B)	2		
	16	MSI-5U2LWA	D.C.MOTOR ASS'Y	1		
	17	VKR4761-001	MOTOR PULLEY	1		
	18	QYSPSP2604Z	SCREW	2		
	19	VKM3907-001	JOINT BRACKET	1		
	20	QYSBSF2608Z	T.SCREW	6		
	21	LV41090-001A	P.B.HEAD	1		
	22	LV41089-001A	R/P&E HEAD	1		
	23	VKW5302-001	HEAD SPRING	2		
	24	VKZ4730-001	SPECIAL SCREW	4		
	25	VKS2279-00D	HEAD MOUNT ASSY	1		
	26	VKW5299-002	PIN ROL.SP.(R)	2		
	27	VKS2277-005	DIRECTION LEVER	2		
	28	VKP4233-00A	PINCH ROL. ASSY	4		
	29	VKW5285-001	RETURN SPRING	2		
	30	VKS3786-00G	CLUTCH ASS'Y	2		
	31	VKS2275-00D	HEAD MOUNT ASSY	1		
	32	VKW5300-002	PIN ROL.SP.(L)	2		
	33	VKS1167-001	HEAD MOUNT BASE	2		
	34	VKS2274-002	REEL GEAR	4		
	35	VKM3906-003	PLAY SW LEVER	2		
	36	VKW5286-002	B.T. SPRING	4		
	37	VKS5559-001	PLAY IDLE GEAR	2		
	38	VKY3149-002	CASSETTE SP.	2		
	39	VKW5279-001	HEAD BASE SP(R)	2		
	40	VKW5280-001	HEAD BASE SP(L)	2		
	41	VKW5296-001	EARTH SPRING	2		
	42	VKS5597-00A	BLIND	2		
	43	VKS1166-003	CONTROL CAM	2		
	45	QYSBSF2608Z	T.SCREW	5	FOR P.W.B.	
	46	VKR4749-002	IDLE PULLEY	2		
	47	QYSBSF2006Z	SCREW	2		

Electrical parts list

■ Electrical parts list (Main board)
Block No. 01

△	Item	Parts number	Parts name	Remarks	Area	△	Item	Parts number	Parts name	Remarks	Area
	336A	GJ270141060310	E.CAPACITOR	25V VX M 10UF			C 116	GJ282033932415	M.CAPACITOR	50V J 0.039UF	
	C 1	GJ116415921	C.CAPACITOR	0.1MF F Z 50V			C 117	GJ282031032415	M.CAPACITOR	50V J 0.01UF	
	C 2	GJ116415921	C.CAPACITOR	0.1MF F Z 50V			C 118	GJ264144712101	C.CAPACITOR	50V B K 470PF	
	C 3	GJ270111070310	E.CAPACITOR	10V VX M 100UF			C 119	GJ282031242415	M.CAPACITOR	50V J 0.12UF	
	C 4	GJ264271032101	C.CAPACITOR	16V Y M 0.01UF			C 120	GJ282031242415	M.CAPACITOR	50V J 0.12UF	
	C 5	GJ264271032101	C.CAPACITOR	16V Y M 0.01UF			C 121	GJ270111070310	E.CAPACITOR	10V VX M 100UF	
	C 6	GJ264141022101	C.CAPACITOR	50V B K 1000PF			C 122	GJ270141060310	E.CAPACITOR	25V VX M 10UF	
	C 7	GJ264081002101	C.CAPACITOR	50V CH J 10PF			C 123	GJ110995391	E.CAPACITOR	2.2MF 20% 50V	
	C 8	GJ110100691	C.CAPACITOR	0.047MF F Z 50V			C 124	GJ264141012101	C.CAPACITOR	50V B K 100PF	
	C 9	GJ110100691	C.CAPACITOR	0.047MF F Z 50V			C 125	GJ264141012101	C.CAPACITOR	50V B K 100PF	
	C 10	GJ110100691	C.CAPACITOR	0.047MF F Z 50V			C 126	GJ270124760310	E.CAPACITOR	16V VX M 47UF	
	C 11	GJ270141060310	E.CAPACITOR	25V VX M 10UF			C 127	GJ264081002101	C.CAPACITOR	50V CH J 10PF	
	C 12	GJ270111070310	E.CAPACITOR	10V VX M 100UF			C 128	GJ282031532415	M.CAPACITOR	50V J 0.015UF	
	C 13	GJ264271032101	C.CAPACITOR	16V Y M 0.01UF			C 129	GJ270192260310	E.CAPACITOR	50V VX M 22UF	
	C 14	GJ270141060310	E.CAPACITOR	25V VX M 10UF			C 130	GJ282031042415	M.CAPACITOR	50V J 0.1UF	
	C 15	GJ264141512101	C.CAPACITOR	50V B K 150PF			C 131	GJ282031042415	M.CAPACITOR	50V J 0.1UF	
	C 16	GJ110100691	C.CAPACITOR	0.047MF F Z 50V			C 140	GJ270193350310	E.CAPACITOR	50V VX M 3.3UF	
	C 17	GJ264036802101	C.CAPACITOR	50V SL J 68PF			C 151	GJ264034702101	C.CAPACITOR	50V SL J 47PF	
	C 18	GJ270193350310	E.CAPACITOR	50V VX M 3.3UF			C 201	GJ264142212101	C.CAPACITOR	50V B K 220PF	
	C 19	GJ264271032101	C.CAPACITOR	16V Y M 0.01UF			C 202	GJ270191050310	E.CAPACITOR	50V VX M 1UF	
	C 20	GJ116103591	C.CAPACITOR	0.033MF X 20% 25V			C 203	GJ270141060310	E.CAPACITOR	25V VX M 10UF	
	C 21	GJ264271032101	C.CAPACITOR	16V Y M 0.01UF			C 204	GJ270141060310	E.CAPACITOR	25V VX M 10UF	
	C 22	GJ270191040310	E.CAPACITOR	50V VX M 0.1UF			C 205	GJ270141060310	E.CAPACITOR	25V VX M 10UF	
	C 23	GJ270194740310	E.CAPACITOR	50V VX M 0.47UF			C 206	GJ270141060310	E.CAPACITOR	25V VX M 10UF	
	C 24	GJ264271032101	C.CAPACITOR	16V Y M 0.01UF			C 207	GJ270141060310	E.CAPACITOR	25V VX M 10UF	
	C 25	GJ282033932415	M.CAPACITOR	50V J 0.039UF			C 208	GJ270141060310	E.CAPACITOR	25V VX M 10UF	
	C 26	GJ282033932415	M.CAPACITOR	50V J 0.039UF			C 209	GJ270141060310	E.CAPACITOR	25V VX M 10UF	
	C 27	GJ270191050310	E.CAPACITOR	50V VX M 1UF			C 210	GJ270141060310	E.CAPACITOR	25V VX M 10UF	
	C 28	GJ270191050310	E.CAPACITOR	50V VX M 1UF			C 211	GJ270141060310	E.CAPACITOR	25V VX M 10UF	
	C 29	GJ264144712101	C.CAPACITOR	50V B K 470PF			C 212	GJ264144712101	C.CAPACITOR	50V B K 470PF	
	C 30	GJ264144712101	C.CAPACITOR	50V B K 470PF			C 213	GJ270141060310	E.CAPACITOR	25V VX M 10UF	
	C 31	GJ264271032101	C.CAPACITOR	16V Y M 0.01UF			C 214	GJ270141060310	E.CAPACITOR	25V VX M 10UF	
	C 34	GJ264031502101	C.CAPACITOR	50V SL J 15PF			C 215	GJ113616191	M.CAPACITOR	0.047MF 5% 50V	
	C 36	GJ264141022101	C.CAPACITOR	50V B K 1000PF			C 216	GJ282033932415	M.CAPACITOR	50V J 0.039UF	
	C 37	GJ264141022101	C.CAPACITOR	50V B K 1000PF			C 217	GJ282031032415	M.CAPACITOR	50V J 0.01UF	
	C 51	GJ264081202101	C.CAPACITOR	50V CH J 12PF			C 218	GJ264144712101	C.CAPACITOR	50V B K 470PF	
	C 52	GJ264081202101	C.CAPACITOR	50V CH J 12PF			C 219	GJ282031242415	M.CAPACITOR	50V J 0.12UF	
	C 53	GJ270124760310	E.CAPACITOR	16V VX M 47UF			C 220	GJ282031242415	M.CAPACITOR	50V J 0.12UF	
	C 54	GJ282031052415	M.CAPACITOR	50V J 1UF			C 221	GJ270111070310	E.CAPACITOR	10V VX M 100UF	
	C 55	GJ282033922415	M.CAPACITOR	50V J 0.0039UF			C 222	GJ270141060310	E.CAPACITOR	25V VX M 10UF	
	C 56	GJ264271032101	C.CAPACITOR	16V Y M 0.01UF			C 223	GJ110995391	E.CAPACITOR	2.2MF 20% 50V	
	C 57	GJ264271032101	C.CAPACITOR	16V Y M 0.01UF			C 224	GJ264141012101	C.CAPACITOR	50V B K 100PF	
	C 58	GJ264141022101	C.CAPACITOR	50V B K 1000PF			C 225	GJ264141012101	C.CAPACITOR	50V B K 100PF	
	C 59	GJ270111070310	E.CAPACITOR	10V VX M 100UF			C 226	GJ270124760310	E.CAPACITOR	16V VX M 47UF	
	C 60	GJ264141512101	C.CAPACITOR	50V B K 150PF			C 227	GJ264081002101	C.CAPACITOR	50V CH J 10PF	
	C 62	GJ264141512101	C.CAPACITOR	50V B K 150PF			C 228	GJ282031532415	M.CAPACITOR	50V J 0.015UF	
	C 63	GJ264141012101	C.CAPACITOR	50V B K 100PF			C 229	GJ270192260310	E.CAPACITOR	50V VX M 22UF	
	C 64	GJ264034702101	C.CAPACITOR	50V SL J 47PF			C 230	GJ282031042415	M.CAPACITOR	50V J 0.1UF	
	C 101	GJ264142212101	C.CAPACITOR	50V B K 220PF			C 231	GJ282031042415	M.CAPACITOR	50V J 0.1UF	
	C 102	GJ270191050310	E.CAPACITOR	50V VX M 1UF			C 240	GJ270193350310	E.CAPACITOR	50V VX M 3.3UF	
	C 103	GJ270141060310	E.CAPACITOR	25V VX M 10UF			C 251	GJ264034702101	C.CAPACITOR	50V SL J 47PF	
	C 104	GJ270141060310	E.CAPACITOR	25V VX M 10UF			C 301	GJ264141022101	C.CAPACITOR	50V B K 1000PF	
	C 105	GJ270141060310	E.CAPACITOR	25V VX M 10UF			C 302	GJ270111070310	E.CAPACITOR	10V VX M 100UF	
	C 106	GJ270141060310	E.CAPACITOR	25V VX M 10UF			C 303	GJ270121080110	E.CAPACITOR	16V VX M 1000UF	
	C 107	GJ270141060310	E.CAPACITOR	25V VX M 10UF			C 304	GJ270111070310	E.CAPACITOR	10V VX M 100UF	
	C 108	GJ270141060310	E.CAPACITOR	25V VX M 10UF			C 305	GJ270111070310	E.CAPACITOR	10V VX M 100UF	
	C 109	GJ270141060310	E.CAPACITOR	25V VX M 10UF			C 306	GJ270124760310	E.CAPACITOR	16V VX M 47UF	
	C 110	GJ270141060310	E.CAPACITOR	25V VX M 10UF			C 307	GJ270111070310	E.CAPACITOR	10V VX M 100UF	
	C 111	GJ270141060310	E.CAPACITOR	25V VX M 10UF			C 308	GJ270124760310	E.CAPACITOR	16V VX M 47UF	
	C 112	GJ264144712101	C.CAPACITOR	50V B K 470PF			C 311	GJ270111070310	E.CAPACITOR	10V VX M 100UF	
	C 113	GJ270141060310	E.CAPACITOR	25V VX M 10UF			C 312	GJ270141060310	E.CAPACITOR	25V VX M 10UF	
	C 114	GJ270141060310	E.CAPACITOR	25V VX M 10UF			C 313	GJ270194750310	E.CAPACITOR	50V VX M 4.7UF	
	C 115	GJ113616191	M.CAPACITOR	0.047MF 5% 50V			C 314	GJ270194750310	E.CAPACITOR	50V VX M 4.7UF	

■ Electrical parts list (Main board)

Block No. 01

△	Item	Parts number	Parts name	Remarks	Area	△	Item	Parts number	Parts name	Remarks	Area
	C 315	GJ270194750310	E.CAPACITOR	50V VX M 4.7UF			CN301	GJ340072030102	CONNECTOR	3PINS	
	C 316	GJ264141512101	C.CAPACITOR	50V B K 150PF			CN302	GJ340022100108	CONNECTOR	10PINS BLK	
	C 317	GJ270111070310	E.CAPACITOR	10V VX M 100UF			CN303	GJ340052070207	CONNECTOR	7PINS SOCKET	
	C 318	GJ264182232101	C.CAPACITOR	25V F Z 0.022UF			CN304	GJ340052070207	CONNECTOR	7PINS SOCKET	
	C 319	GJ270124760310	E.CAPACITOR	16V VX M 47UF			CN305	GJ340072040102	CONNECTOR	4PIN	
	C 320	GJ264182232101	C.CAPACITOR	25V F Z 0.022UF			CN306	GJ340022130108	CONNECTOR	13PIN	
	C 321	GJ270114760310	E.CAPACITOR	10V VX M 47UF			CN307	GJ340022170108	CONNECTOR	17PIN	
	C 322	GJ270124760310	E.CAPACITOR	16V VX M 47UF			CN308	GJ340022050108	CONNECTOR	5PINS	
	C 323	GJ270191060310	E.CAPACITOR	50V VX M 10UF			CN309	GJ340022190108	CONNECTOR	19PINS	
	C 324	GJ270191060310	E.CAPACITOR	50V VX M 10UF			CN310	GJ156470811	CONNECTOR	6PIN	
	C 325	GJ270194740310	E.CAPACITOR	50V VX M 0.47UF			CN901	GJ340072050102	CONNECTOR	5PIN B	
	C 326	GJ270191050310	E.CAPACITOR	50V VX M 1UF			CN901	GJ340072050102	CONNECTOR	5PIN A	
	C 327	GJ270124760310	E.CAPACITOR	16V VX M 47UF			D 1	GJ871999133	DIODE	1SS133T77	
	C 328	GJ270122260310	E.CAPACITOR	16V VX M 22UF			D 2	GJ871999133	DIODE	1SS133T77	
	C 329	GJ270191050310	E.CAPACITOR	50V VX M 1UF			D 3	GJ871999133	DIODE	1SS133T77	
	C 330	GJ282031532415	M.CAPACITOR	50V J 0.015UF			D 4	GJ871999133	DIODE	1SS133T77	
	C 331	GJ264033302101	C.CAPACITOR	50V SL J 33PF			D 5	GJ871999133	DIODE	1SS133T77	
	C 332	GJ264261822101	C.CAPACITOR	16V X M 0.0018UF			D 6	GJ871999133	DIODE	1SS133T77	
	C 333	GJ264146812101	C.CAPACITOR	50V B K 680PF			D 7	GJ871999133	DIODE	1SS133T77	
	C 334	GJ270191050310	E.CAPACITOR	50V VX M 1UF			D 8	GJ871999133	DIODE	1SS133T77	
	C 335	GJ270111070310	E.CAPACITOR	10V VX M 100UF			D 51	GJ871999133	DIODE	1SS133T77	
	C 336	GJ270141060310	E.CAPACITOR	25V VX M 10UF			D 53	GJ871999133	DIODE	1SS133T77	
	C 337	GJ270194760310	E.CAPACITOR	50V VX M 47UF			D 101	GJ871999133	DIODE	1SS133T77	
	C 339	GJ270192240310	E.CAPACITOR	50V VX M 0.22UF			D 201	GJ871999133	DIODE	1SS133T77	
	C 340	GJ270114770310	E.CAPACITOR	10V VX M 470UF			D 301	GJ871999133	DIODE	1SS133T77	
	C 341	GJ270111080310	E.CAPACITOR	10V M 1000UF			D 302	GJ871999133	DIODE	1SS133T77	
	C 342	GJ112447091	E.CAPACITOR	470UF 20% 6.3V			D 303	GJ871999133	DIODE	1SS133T77	
	C 343	GJ270104780114	E.CAPACITOR	6.3V 4700UF			D 304	GJ871999133	DIODE	1SS133T77	
	C 344	GJ264271032101	C.CAPACITOR	16V Y M 0.01UF			D 305	GJ871999133	DIODE	1SS133T77	
	C 347	GJ270124760310	E.CAPACITOR	16V VX M 47UF			D 306	GJ310020300203	DIODE	1N4003SP	
	C 348	GJ110100691	C.CAPACITOR	0.047MF F Z 50V			D 307	GJ871992333	ZENER DIODE	MTZJT775.1A	
	C 360	GJ270141060310	E.CAPACITOR	25V VX M 10UF			D 308	GJ871999133	DIODE	1SS133T77	
	C 901	GJ282036832415	M.CAPACITOR	50V J 0.068UF			D 309	GJ871999133	DIODE	1SS133T77	
	C 902	GJ282036832415	M.CAPACITOR	50V J 0.068UF			D 310	GJ871999133	DIODE	1SS133T77	
	C 903	GJ282036832415	M.CAPACITOR	50V J 0.068UF			D 311	GJ871999133	DIODE	1SS133T77	
	C 904	GJ282036832415	M.CAPACITOR	50V J 0.068UF			D 313	GJ871999133	DIODE	1SS133T77	
△	C 905	GJ270192282214	E.CAPACITOR	50V M 2200UF			D 314	GJ871999133	DIODE	1SS133T77	
△	C 906	GJ270192282214	E.CAPACITOR	50V M 2200UF			D 315	GJ871992333	ZENER DIODE	MTZJT775.1A	
△	C 907	GJ282031042415	M.CAPACITOR	50V J 0.1UF			D 316	GJ871999133	DIODE	1SS133T77	
△	C 908	GJ112694451	E.CAPACITOR	3300MF 20% 25V			D 317	GJ871999133	DIODE	1SS133T77	
	C 909	GJ270192260310	E.CAPACITOR	50V VX M 22UF			D 318	GJ310020300203	DIODE	1N4003SP	
	C 910	GJ270304760314	E.CAPACITOR	63V VX M 47UF			D 319	GJ871999133	DIODE	1SS133T77	
	C 911	GJ270192260310	E.CAPACITOR	50V VX M 22UF			D 320	GJ871999133	DIODE	1SS133T77	
	C 912	GJ270194750310	E.CAPACITOR	50V VX M 4.7UF			D 321	GJ871992217	ZENER DIODE	MTZJT7724B	
	C 913	GJ264271032101	C.CAPACITOR	16V Y M 0.01UF			D 322	GJ871999133	DIODE	1SS133T77	
	C 914	GJ270191050310	E.CAPACITOR	50V VX M 1UF			D 323	GJ871999133	DIODE	1SS133T77	
	C 915	GJ270141060310	E.CAPACITOR	25V VX M 10UF			D 324	GJ871999133	DIODE	1SS133T77	
	C 916	GJ264142212101	C.CAPACITOR	50V B K 220PF			D 325	GJ871999133	DIODE	1SS133T77	
	C 917	GJ270192260310	E.CAPACITOR	50V VX M 22UF			D 326	GJ310020300203	DIODE	1N4003SP	
	C 918	GJ264271032101	C.CAPACITOR	16V Y M 0.01UF			D 327	GJ310020300203	DIODE	1N4003SP	
	C 919	GJ270111070310	E.CAPACITOR	10V VX M 100UF			D 330	GJ871992333	ZENER DIODE	MTZJT775.1A	
	C 920	GJ270122260310	E.CAPACITOR	16V VX M 22UF			D 331	GJ871999133	DIODE	1SS133T77	
	C 921	GJ270144750310	E.CAPACITOR	25V VX M 4.7UF			△ D 901	GJ310020010123	DIODE	1N5401 TM BULK	
	C 922	GJ270122260310	E.CAPACITOR	16V VX M 22UF			△ D 902	GJ310020010123	DIODE	1N5401 TM BULK	
	C 923	GJ270192250310	E.CAPACITOR	50V VX M 2.2UF			△ D 903	GJ310020010123	DIODE	1N5401 TM BULK	
	C 925	GJ264271032101	C.CAPACITOR	16V Y M 0.01UF			△ D 904	GJ310020010123	DIODE	1N5401 TM BULK	
	C 926	GJ112447091	E.CAPACITOR	470UF 20% 6.3V			△ D 905	GJ310020300203	DIODE	1N4003SP	
	C 927	GJ263311052407	N.E.CAPACITOR	25V Z 1UF			△ D 906	GJ310020300203	DIODE	1N4003SP	
	C 930	GJ264141212101	C.CAPACITOR	50V B K 120PF			△ D 908	GJ310020300203	DIODE	1N4003SP	
CF 1	GJ176012711	CERAMIC FILTER		10.7MG74			D 909	GJ871998334	ZENER DIODE	MTZJT7733C	
CF 2	GJ176012711	CERAMIC FILTER		10.7MG74			D 910	GJ871992341	ZENER DIODE	MTZJT776.2A	
CF 3	GJ176012711	CERAMIC FILTER		10.7MG74			D 911	GJ871999133	DIODE	1SS133T77	
CF 4	GJ157976211	CERAMIC FILTER					D 912	GJ871992333	ZENER DIODE	MTZJT775.1A	

■ Electrical parts list (Main board)

Block No. 01

△	Item	Parts number	Parts name	Remarks	Area	△	Item	Parts number	Parts name	Remarks	Area
	D 913	GJ871999133	DIODE	1SS133T77			Q 318	GJ872990440	TRANSISTOR	DTC114TS	
	D 914	GJ871992360	ZENER DIODE	MTZJT779.1A			Q 901	GJ872999343	TRANSISTOR	2SA934R	
	D 915	GJ871992339	ZENER DIODE	MTZJT775.6C			Q 902	GJ872990437	TRANSISTOR	DTC114YS	
	D 916	GJ871998315	ZENER DIODE	MTZJT773.9A			Q 903	GJ872990437	TRANSISTOR	DTC114YS	
	IC 1	GJ313020141801	IC	TA2057N		△	Q 904	GJ872920960	TRANSISTOR	2SB1375	
	IC 2	GJ313070221000	IC	LC72136 PLL IC			Q 905	GJ872910154	TRANSISTOR	2SA1175TPF	
△	IC101	GJ313070411018	IC	TDA7295			Q 906	GJ872992571	TRANSISTOR	DTA144TS	
△	IC201	GJ313070411018	IC	TDA7295			Q 907	GJ312010511203	TRANSISTOR	DTC144TSA	
	IC301	GJ313010023103	IC	BA15218 DIP			Q 908	GJ872910138	TRANSISTOR	2SC2785	
	IC302	GJ313040481117	IC	NJU4052BD (DIP)			Q 909	GJ872910138	TRANSISTOR	2SC2785	
	IC303	GJ313010023103	IC	BA15218 DIP		△	Q 910	GJ872920960	TRANSISTOR	2SB1375	
	IC304	GJ313040491117	IC	NJU4066BD (DIP)			Q 911	GJ872910138	TRANSISTOR	2SC2785	
	IC305	GJ313010023103	IC	BA15218 DIP			Q 912	GJ872910138	TRANSISTOR	2SC2785	
	IC306	GJ875943241	IC	BH3854AS			Q 913	GJ872910154	TRANSISTOR	2SA1175TPF	
	IC307	GJ313010023103	IC	BA15218 DIP			Q 914	GJ872910138	TRANSISTOR	2SC2785	
△	IC901	GJ875970175	IC	NJM7805FA		△	Q 915	GJ872902967	TRANSISTOR	DTC114ESA	
	JA301	GJ342030140109	JACK	4PIN			Q 916	GJ872920960	TRANSISTOR	2SB1375	
	JA302	GJ342030160109	JACK	3PIN BLACK		R 1	GJ250081022103	CARBON RESISTOR	1/6W J 1K		
	JA303	GJ342040110908	JACK	SPK 4PIN		R 2	GJ250082702103	CARBON RESISTOR	1/6W J 27		
	L 1	GJ141039721	F.BEAD INDUCTOR	1.1UH		R 5	GJ250083312103	CARBON RESISTOR	1/6W J 330		
	L 2	GJ123430411	BLOCK COIL	FOR MW		R 6	GJ250084742103	CARBON RESISTOR	1/6W J 470K		
	L 51	GJ141033631	MICRO INDUCTOR	220UH 10%		R 7	GJ250085602103	CARBON RESISTOR	1/6W J 56		
	L 101	GJ320080150109	COIL			R 8	GJ250083312103	CARBON RESISTOR	1/6W J 330		
	L 201	GJ320080150109	COIL			R 9	GJ250081042103	CARBON RESISTOR	1/6W J 100K		
	L 301	GJ141039721	F.BEAD INDUCTOR	1.1UH		R 10	GJ250081022103	CARBON RESISTOR	1/6W J 1K		
	L 302	GJ241131001301	F.BEAD INDUCTOR	10UH		R 11	GJ250081032103	CARBON RESISTOR	1/6W J 10K		
	L 303	GJ141039721	F.BEAD INDUCTOR	1.1UH		R 12	GJ250085622103	CARBON RESISTOR	1/6W J 5.6K		
	L 304	GJ141039721	F.BEAD INDUCTOR	1.1UH		R 13	GJ250081042103	CARBON RESISTOR	1/6W J 100K		
	L 305	GJ141039721	F.BEAD INDUCTOR	1.1UH		R 14	GJ250081032103	CARBON RESISTOR	1/6W J 10K		
	L 306	VQZ0048009	CORE	EMI BEAD CORE		R 15	GJ250081032103	CARBON RESISTOR	1/6W J 10K		
	L 307	VQZ0048009	CORE	EMI BEAD CORE		R 17	GJ250082712103	CARBON RESISTOR	1/6W J 270		
	L 901	GJ241131001301	F.BEAD INDUCTOR	10UH		R 18	GJ250082732103	CARBON RESISTOR	1/6W J 27K		
	Q 1	GJ312010162201	TRANSISTOR	2SC19230		R 19	GJ250082732103	CARBON RESISTOR	1/6W J 27K		
	Q 51	GJ872990281	TRANSISTOR	DTA114YS		R 20	GJ250082232103	CARBON RESISTOR	1/6W J 22K		
	Q 101	GJ872992241	TRANSISTOR	2SD2144S		R 22	GJ250083922103	CARBON RESISTOR	1/6W J 3.9K		
	Q 102	GJ872992241	TRANSISTOR	2SD2144S		R 24	GJ250085622103	CARBON RESISTOR	1/6W J 5.6K		
	Q 103	GJ872992241	TRANSISTOR	2SD2144S		R 25	GJ250085622103	CARBON RESISTOR	1/6W J 5.6K		
	Q 104	GJ872910138	TRANSISTOR	2SC2785		R 26	GJ250082222103	CARBON RESISTOR	1/6W J 2.2K		
	Q 105	GJ872992241	TRANSISTOR	2SD2144S		R 27	GJ250082222103	CARBON RESISTOR	1/6W J 2.2K		
	Q 106	GJ872992241	TRANSISTOR	2SD2144S		R 28	GJ250081522103	CARBON RESISTOR	1/6W J 1.5K		
	Q 201	GJ872992241	TRANSISTOR	2SD2144S		R 51	GJ250081022103	CARBON RESISTOR	1/6W J 1K		
	Q 202	GJ872992241	TRANSISTOR	2SD2144S		R 52	GJ250083322103	CARBON RESISTOR	1/6W J 3.3K		
	Q 203	GJ872992241	TRANSISTOR	2SD2144S		R 53	GJ250084722103	CARBON RESISTOR	1/6W J 4.7K		
	Q 204	GJ872910138	TRANSISTOR	2SC2785		R 54	GJ250081822103	CARBON RESISTOR	1/6W J 1.8K		
	Q 205	GJ872992241	TRANSISTOR	2SD2144S		R 55	GJ250084722103	CARBON RESISTOR	1/6W J 4.7K		
	Q 206	GJ872992241	TRANSISTOR	2SD2144S		R 56	GJ250082222103	CARBON RESISTOR	1/6W J 2.2K		
	Q 301	GJ872902921	TRANSISTOR	DTA114ESA		R 57	GJ250083312103	CARBON RESISTOR	1/6W J 330		
	Q 302	GJ872902921	TRANSISTOR	DTA114ESA		R 58	GJ250081032103	CARBON RESISTOR	1/6W J 10K		
	Q 303	GJ872902921	TRANSISTOR	DTA114ESA		R 60	GJ250081022103	CARBON RESISTOR	1/6W J 1K		
	Q 304	GJ872902967	TRANSISTOR	DTC114ESA		R 61	GJ250081022103	CARBON RESISTOR	1/6W J 1K		
	Q 305	GJ872902967	TRANSISTOR	DTC114ESA		R 63	GJ250084732103	CARBON RESISTOR	1/6W J 47K		
	Q 306	GJ872902967	TRANSISTOR	DTC114ESA		R 64	GJ250081042103	CARBON RESISTOR	1/6W J 100K		
	Q 307	GJ872902967	TRANSISTOR	DTC114ESA		R 65	GJ250081022103	CARBON RESISTOR	1/6W J 1K		
	Q 308	GJ872902967	TRANSISTOR	DTC114ESA		R 66	GJ250082222103	CARBON RESISTOR	1/6W J 2.2K		
	Q 309	GJ312090082203	TRANSISTOR	2SA933SR		R 67	GJ250082222103	CARBON RESISTOR	1/6W J 2.2K		
	Q 310	GJ872910138	TRANSISTOR	2SC2785		R 70	GJ250081032103	CARBON RESISTOR	1/6W J 10K		
	Q 311	GJ872910138	TRANSISTOR	2SC2785		R 101	GJ250084332103	CARBON RESISTOR	1/6W J 43K		
	Q 312	GJ312090082203	TRANSISTOR	2SA933SR		R 102	GJ250082732103	CARBON RESISTOR	1/6W J 27K		
	Q 313	GJ872910138	TRANSISTOR	2SC2785		R 103	GJ250082212103	CARBON RESISTOR	1/6W J 220		
	Q 314	GJ872910138	TRANSISTOR	2SC2785		R 104	GJ250082222103	CARBON RESISTOR	1/6W J 2.2K		
	Q 315	GJ872910138	TRANSISTOR	2SC2785		R 105	GJ250084722103	CARBON RESISTOR	1/6W J 4.7K		
	Q 316	GJ872902921	TRANSISTOR	DTA114ESA		R 106	GJ250081022103	CARBON RESISTOR	1/6W J 1K		
	Q 317	GJ872902921	TRANSISTOR	DTA114ESA		R 107	GJ250084722103	CARBON RESISTOR	1/6W J 4.7K		

■ Electrical parts list (Main board)

Block No. 01

△	Item	Parts number	Parts name	Remarks	Area	△	Item	Parts number	Parts name	Remarks	Area
	R 108	GJ250084732103	CARBON RESISTOR	1/6W J 47K			R 219	GJ250083322103	CARBON RESISTOR	1/6W J 3.3K	
	R 109	GJ250084322103	CARBON RESISTOR	1/6W J 4.3K			R 220	GJ250082422103	CARBON RESISTOR	1/6W J 2.4K	
	R 110	GJ250081532103	CARBON RESISTOR	1/6W J 15K			R 221	GJ250084722103	CARBON RESISTOR	1/6W J 4.7K	
	R 111	GJ250084712103	CARBON RESISTOR	1/6W J 470			R 222	GJ250082232103	CARBON RESISTOR	1/6W J 22K	
	R 112	GJ250081042103	CARBON RESISTOR	1/6W J 100K			R 223	GJ250084322103	CARBON RESISTOR	1/6W J 4.3K	
	R 113	GJ250084722103	CARBON RESISTOR	1/6W J 4.7K			R 224	GJ250084722103	CARBON RESISTOR	1/6W J 4.7K	
	R 114	GJ250084732103	CARBON RESISTOR	1/6W J 47K			R 225	GJ250081032103	CARBON RESISTOR	1/6W J 10K	
	R 115	GJ250084322103	CARBON RESISTOR	1/6W J 4.3K			R 226	GJ250081242103	CARBON RESISTOR	1/6W J 120K	
	R 116	GJ250081132103	CARBON RESISTOR	1/6W J 11K			R 227	GJ250082222103	CARBON RESISTOR	1/6W J 2.2K	
	R 117	GJ250084732103	CARBON RESISTOR	1/6W J 47K			R 228	GJ250082222103	CARBON RESISTOR	1/6W J 2.2K	
	R 118	GJ250084712103	CARBON RESISTOR	1/6W J 470			R 229	GJ250088222103	CARBON RESISTOR	1/6W J 8.2K	
	R 119	GJ250083322103	CARBON RESISTOR	1/6W J 3.3K			R 230	GJ250081032103	CARBON RESISTOR	1/6W J 10K	
	R 120	GJ250082422103	CARBON RESISTOR	1/6W J 2.4K			R 231	GJ250088222103	CARBON RESISTOR	1/6W J 8.2K	
	R 121	GJ250084722103	CARBON RESISTOR	1/6W J 4.7K			R 232	GJ250082222103	CARBON RESISTOR	1/6W J 2.2K	
	R 122	GJ250082232103	CARBON RESISTOR	1/6W J 22K			R 233	GJ250084722103	CARBON RESISTOR	1/6W J 4.7K	
	R 123	GJ250084322103	CARBON RESISTOR	1/6W J 4.3K			R 234	GJ250084722103	CARBON RESISTOR	1/6W J 4.7K	
	R 124	GJ250084722103	CARBON RESISTOR	1/6W J 4.7K			R 235	GJ250081042103	CARBON RESISTOR	1/6W J 100K	
	R 125	GJ250081032103	CARBON RESISTOR	1/6W J 10K			R 236	GJ250085612103	CARBON RESISTOR	1/6W J 560	
	R 126	GJ250081242103	CARBON RESISTOR	1/6W J 120K			R 237	GJ250088232103	CARBON RESISTOR	1/6W J 82K	
	R 127	GJ250082222103	CARBON RESISTOR	1/6W J 2.2K			R 238	GJ250081042103	CARBON RESISTOR	1/6W J 100K	
	R 128	GJ250082222103	CARBON RESISTOR	1/6W J 2.2K			R 239	GJ250081222103	CARBON RESISTOR	1/6W J 1.2K	
	R 129	GJ250088222103	CARBON RESISTOR	1/6W J 8.2K			R 240	GJ250081022103	CARBON RESISTOR	1/6W J 1K	
	R 130	GJ250081032103	CARBON RESISTOR	1/6W J 10K			R 242	GJ250051002510	CARBON RESISTOR	1/4W J 10	
	R 131	GJ250088222103	CARBON RESISTOR	1/6W J 8.2K			R 244	GJ250051002510	CARBON RESISTOR	1/4W J 10	
	R 132	GJ250082222103	CARBON RESISTOR	1/6W J 2.2K		△	R 245	GJ253152282509	CARBON RESISTOR	0.22 1W J	
	R 133	GJ250084722103	CARBON RESISTOR	1/6W J 4.7K			R 246	GJ250081042103	CARBON RESISTOR	1/6W J 100K	
	R 134	GJ250084722103	CARBON RESISTOR	1/6W J 4.7K			R 247	GJ250085632103	CARBON RESISTOR	1/6W J 56K	
	R 135	GJ250081042103	CARBON RESISTOR	1/6W J 100K			R 248	GJ250056812510	CARBON RESISTOR	1/4W J 680	
	R 136	GJ250085612103	CARBON RESISTOR	1/6W J 560			R 249	GJ250088212103	CARBON RESISTOR	1/6W J 820	
	R 137	GJ250088232103	CARBON RESISTOR	1/6W J 82K			R 250	GJ250081032103	CARBON RESISTOR	1/6W J 10K	
	R 138	GJ250081042103	CARBON RESISTOR	1/6W J 100K			R 251	GJ250081032103	CARBON RESISTOR	1/6W J 10K	
	R 139	GJ250081222103	CARBON RESISTOR	1/6W J 1.2K			R 260	GJ250082732103	CARBON RESISTOR	1/6W J 27K	
	R 140	GJ250081022103	CARBON RESISTOR	1/6W J 1K			R 261	GJ250084722103	CARBON RESISTOR	1/6W J 4.7K	
	R 142	GJ250051002510	CARBON RESISTOR	1/4W J 10			R 262	GJ250082722103	CARBON RESISTOR	1/6W J 2.7K	
	R 144	GJ250051002510	CARBON RESISTOR	1/4W J 10			R 301	GJ250081042103	CARBON RESISTOR	1/6W J 100K	
△	R 145	GJ253152282509	CARBON RESISTOR	0.22 1W J			R 302	GJ250082212103	CARBON RESISTOR	1/6W J 220	
	R 146	GJ250081042103	CARBON RESISTOR	1/6W J 100K			R 303	GJ250081522103	CARBON RESISTOR	1/6W J 1.5K	
	R 147	GJ250085632103	CARBON RESISTOR	1/6W J 56K			R 304	GJ250081022103	CARBON RESISTOR	1/6W J 1K	
	R 148	GJ250056812510	CARBON RESISTOR	1/4W J 680			R 305	GJ250082212103	CARBON RESISTOR	1/6W J 220	
	R 149	GJ250088212103	CARBON RESISTOR	1/6W J 820			R 306	GJ250081032103	CARBON RESISTOR	1/6W J 10K	
	R 150	GJ250081032103	CARBON RESISTOR	1/6W J 10K			R 307	GJ250081032103	CARBON RESISTOR	1/6W J 10K	
	R 151	GJ250081032103	CARBON RESISTOR	1/6W J 10K			R 308	GJ250081032103	CARBON RESISTOR	1/6W J 10K	
	R 160	GJ250082732103	CARBON RESISTOR	1/6W J 27K			R 309	GJ250081032103	CARBON RESISTOR	1/6W J 10K	
	R 161	GJ250084722103	CARBON RESISTOR	1/6W J 4.7K			R 310	GJ250081022103	CARBON RESISTOR	1/6W J 1K	
	R 162	GJ250082722103	CARBON RESISTOR	1/6W J 2.7K			R 311	GJ250082212103	CARBON RESISTOR	1/6W J 220	
	R 201	GJ250084332103	CARBON RESISTOR	1/6W J 43K			R 312	GJ250082212103	CARBON RESISTOR	1/6W J 220	
	R 202	GJ250082732103	CARBON RESISTOR	1/6W J 27K			R 313	GJ250081042103	CARBON RESISTOR	1/6W J 100K	
	R 203	GJ250082212103	CARBON RESISTOR	1/6W J 220			R 314	GJ250081032103	CARBON RESISTOR	1/6W J 10K	
	R 204	GJ250082222103	CARBON RESISTOR	1/6W J 2.2K			R 315	GJ250081842103	CARBON RESISTOR	1/6W J 180K	
	R 205	GJ250084722103	CARBON RESISTOR	1/6W J 4.7K			R 316	GJ250083342103	CARBON RESISTOR	1/6W J 330K	
	R 206	GJ250081022103	CARBON RESISTOR	1/6W J 1K			R 317	GJ250082242103	CARBON RESISTOR	1/6W J 220K	
	R 207	GJ250084722103	CARBON RESISTOR	1/6W J 4.7K			R 318	GJ250081242103	CARBON RESISTOR	1/6W J 120K	
	R 208	GJ250084732103	CARBON RESISTOR	1/6W J 47K			R 319	GJ250082222103	CARBON RESISTOR	1/6W J 2.2K	
	R 209	GJ250084322103	CARBON RESISTOR	1/6W J 4.3K			R 320	GJ250081022103	CARBON RESISTOR	1/6W J 1K	
	R 210	GJ250081532103	CARBON RESISTOR	1/6W J 15K			R 321	GJ250081022103	CARBON RESISTOR	1/6W J 1K	
	R 211	GJ250084712103	CARBON RESISTOR	1/6W J 470			R 322	GJ250081042103	CARBON RESISTOR	1/6W J 100K	
	R 212	GJ250081042103	CARBON RESISTOR	1/6W J 100K			R 323	GJ250085622103	CARBON RESISTOR	1/6W J 5.6K	
	R 213	GJ250084722103	CARBON RESISTOR	1/6W J 4.7K			R 324	GJ250081012103	CARBON RESISTOR	1/6W J 100	
	R 214	GJ250084732103	CARBON RESISTOR	1/6W J 47K			R 325	GJ250081522103	CARBON RESISTOR	1/6W J 1.5K	
	R 215	GJ250084322103	CARBON RESISTOR	1/6W J 4.3K			R 326	GJ250082232103	CARBON RESISTOR	1/6W J 22K	
	R 216	GJ250081132103	CARBON RESISTOR	1/6W J 11K			R 327	GJ250081242103	CARBON RESISTOR	1/6W J 120K	
	R 217	GJ250084732103	CARBON RESISTOR	1/6W J 47K			R 328	GJ250082232103	CARBON RESISTOR	1/6W J 22K	
	R 218	GJ250084712103	CARBON RESISTOR	1/6W J 470			R 329	GJ250081022103	CARBON RESISTOR	1/6W J 1K	

■ Electrical parts list(Main board)

Block No. 01

△	Item	Parts number	Parts name	Remarks	Area
	R 330	GJ250083022103	CARBON RESISTOR	1/6W J 3K	
	R 331	GJ250084742103	CARBON RESISTOR	1/6W J 470K	
	R 332	GJ250081042103	CARBON RESISTOR	1/6W J 100K	
	R 333	GJ250081042103	CARBON RESISTOR	1/6W J 100K	
	R 334	GJ250081032103	CARBON RESISTOR	1/6W J 10K	
	R 335	GJ250082232103	CARBON RESISTOR	1/6W J 22K	
	R 336	GJ250081032103	CARBON RESISTOR	1/6W J 10K	
	R 337	GJ250081222103	CARBON RESISTOR	1/6W J 1.2K	
	R 338	GJ253151022508	CARBON RESISTOR	1W J 1K	
	R 339	GJ253151022508	CARBON RESISTOR	1W J 1K	
	R 341	GJ250081032103	CARBON RESISTOR	1/6W J 10K	
	R 342	GJ250082252103	CARBON RESISTOR	1/6W J 2.2M	
	R 343	GJ250082202103	CARBON RESISTOR	1/6W J 22	
	R 344	GJ250084732103	CARBON RESISTOR	1/6W J 47K	
	R 345	GJ250081042103	CARBON RESISTOR	1/6W J 100K	
	R 346	GJ250084712103	CARBON RESISTOR	1/6W J 470	
	R 347	GJ250081032103	CARBON RESISTOR	1/6W J 10K	
	R 348	GJ250083322103	CARBON RESISTOR	1/6W J 3.3K	
	R 349	GJ250081522103	CARBON RESISTOR	1/6W J 1.5K	
	R 350	GJ250082212103	CARBON RESISTOR	1/6W J 220	
	R 351	GJ250082212103	CARBON RESISTOR	1/6W J 220	
	R 352	GJ250082212103	CARBON RESISTOR	1/6W J 220	
	R 353	GJ250082212103	CARBON RESISTOR	1/6W J 220	
	R 355	GJ250082232103	CARBON RESISTOR	1/6W J 22K	
△	R 901	GJ255051212301	FUS RESISTOR	1/4W J 120	
	R 903	GJ250082222103	CARBON RESISTOR	1/6W J 2.2K	
	R 904	GJ250081042103	CARBON RESISTOR	1/6W J 100K	
	R 905	GJ250081032103	CARBON RESISTOR	1/6W J 10K	
	R 906	GJ250081022103	CARBON RESISTOR	1/6W J 1K	
	R 907	GJ250084712103	CARBON RESISTOR	1/6W J 470	
	R 908	GJ250081092103	CARBON RESISTOR	1/6W J 1	
	R 909	GJ250081092103	CARBON RESISTOR	1/6W J 1	
	R 910	GJ250081092103	CARBON RESISTOR	1/6W J 1	
	R 911	GJ250088212103	CARBON RESISTOR	1/6W J 820	
	R 912	GJ250086822103	CARBON RESISTOR	1/6W J 6.8K	
	R 913	GJ250089112103	CARBON RESISTOR	1/6W J 910	
	R 914	GJ250087512103	CARBON RESISTOR	1/6W J 750	
	R 915	GJ250083312103	CARBON RESISTOR	1/6W J 330	
	R 916	GJ250083312103	CARBON RESISTOR	1/6W J 330	
	R 917	GJ250084712103	CARBON RESISTOR	1/6W J 470	
	R 918	GJ250081022103	CARBON RESISTOR	1/6W J 1K	
	R 919	GJ250084722103	CARBON RESISTOR	1/6W J 4.7K	
	R 920	GJ250082222103	CARBON RESISTOR	1/6W J 2.2K	
	R 921	GJ250084722103	CARBON RESISTOR	1/6W J 4.7K	
	R 922	GJ250084722103	CARBON RESISTOR	1/6W J 4.7K	
	R 923	GJ250084732103	CARBON RESISTOR	1/6W J 47K	
	R 924	GJ250086812103	CARBON RESISTOR	1/6W J 680	
	R 925	GJ250082222103	CARBON RESISTOR	1/6W J 2.2K	
	R 926	GJ250085622103	CARBON RESISTOR	1/6W J 5.6K	
△	R 927	GJ255053902610	FUS RESISTOR	1/4W J 39	
	R 928	GJ250081012103	CARBON RESISTOR	1/6W J 100	
	R 929	GJ250081042103	CARBON RESISTOR	1/6W J 100K	
	R 930	GJ250081022103	CARBON RESISTOR	1/6W J 1K	
	R 932	GJ250081032103	CARBON RESISTOR	1/6W J 10K	
	R 933	GJ250088212103	CARBON RESISTOR	1/6W J 820	
	R 934	GJ250084722103	CARBON RESISTOR	1/6W J 4.7K	
	R 935	GJ250084722103	CARBON RESISTOR	1/6W J 4.7K	
△	R 936	GJ255053392601	FUS RESISTOR	1/4W J 3.3	
	R 939	GJ250082212103	CARBON RESISTOR	1/6W J 220	
	R 940	GJ250082212103	CARBON RESISTOR	1/6W J 220	
	R 941	GJ250082212103	CARBON RESISTOR	1/6W J 220	
	R 942	GJ250082212103	CARBON RESISTOR	1/6W J 220	
	RY901	GJ151592011	RELAY (24V)		

△	Item	Parts number	Parts name	Remarks	Area
	T 2	GJ123388511	IFT	BLACK	
	TU 1	GJ169345711	TUNER	FM FRONT END	
	X 1	GJ361000130003	X'TAL	X'TAL 75KHZ	

■ Electrical parts list (Mic/head phone board) Block No. 02

△	Item	Parts number	Parts name	Remarks	Area
	C 851	GJ270192250310	E.CAPACITOR	50V VX M 2.2UF	
	C 852	GJ264141012101	C.CAPACITOR	50V B K 100PF	
	C 853	GJ264141012101	C.CAPACITOR	50V B K 100PF	
	C 854	GJ270192250310	E.CAPACITOR	50V VX M 2.2UF	
	C 855	GJ270111070310	E.CAPACITOR	10V VX M 100UF	
	C 856	GJ270112270310	E.CAPACITOR	10V VX M 220UF	
	C 857	GJ264141022101	C.CAPACITOR	50V B K 1000PF	
	C 858	GJ264141022101	C.CAPACITOR	50V B K 1000PF	
	FW851	GJ353040350107	FLAT CABLE	4PIN	
	FW852	GJ353030350107	FLAT CABLE	3PIN	
	IC852	GJ313010022103	IC	BA15218F	
	J 850	GJ342010160111	JACK	YKB21-5101A	
	J 851	GJ342010170109	JACK	HTJ-064-07AG	
	L 851	GJ141051731	INDUCTOR	47UH 5%	
	L 852	GJ141051731	INDUCTOR	47UH 5%	
	R 851	GJ250084722103	CARBON RESISTOR	1/6W J 4.7K	
	R 852	GJ250084722103	CARBON RESISTOR	1/6W J 4.7K	
	R 853	GJ250081542103	CARBON RESISTOR	1/6W J 150K	
	R 854	GJ250083922103	CARBON RESISTOR	1/6W J 3.9K	
	R 855	GJ250081032103	CARBON RESISTOR	1/6W J 10K	
	R 856	GJ250084732103	CARBON RESISTOR	1/6W J 47K	
	R 857	GJ250081012103	CARBON RESISTOR	1/6W J 100	
	R 858	GJ250082222103	CARBON RESISTOR	1/6W J 2.2K	
	R 859	GJ250082212103	CARBON RESISTOR	1/6W J 220	
	R 860	GJ250081232103	CARBON RESISTOR	1/6W J 12K	
	R 861	GJ250081032103	CARBON RESISTOR	1/6W J 10K	
	VR851	GJ299000510003	ENCODER VR	(EVUE27FK1A14)	

■ Electrical parts list (Video board) Block No. 03

△	Item	Parts number	Parts name	Remarks	Area
	C 345	GJ112447091	E.CAPACITOR	470UF 20% 6.3V	
	C 346	GJ264034702101	C.CAPACITOR	50V SL J 47PF	
	CN312	GJ345252020109	WAFER	2PINS	
	D 328	GJ871992346	ZENER DIODE	MTZJT776.8B	
	D 329	GJ871992346	ZENER DIODE	MTZJT776.8B	
	JA304	GJ342030170309	JACK	HSP-241V2Y	
	R 354	GJ250081042103	CARBON RESISTOR	1/6W J 100K	

■ Electrical parts list (Dsp board)

Block No. 04

△	Item	Parts number	Parts name	Remarks	Area
	C 601	GJ270111070310	E.CAPACITOR	10V VX M 100UF	
	C 602	GJ264271032101	C.CAPACITOR	16V Y M 0.01UF	
	C 603	GJ270191050310	E.CAPACITOR	50V VX M 1UF	
	C 604	GJ283104722415	M.CAPACITOR	50V K 0.0047UF	
	C 605	GJ264141022101	C.CAPACITOR	50V B K 1000PF	
	C 606	GJ270114760310	E.CAPACITOR	10V VX M 47UF	
	C 607	GJ264271032101	C.CAPACITOR	16V Y M 0.01UF	
	C 608	GJ270191050310	E.CAPACITOR	50V VX M 1UF	
	C 609	GJ283102222415	M.CAPACITOR	50V K 0.0022UF	
	C 610	GJ264143312101	C.CAPACITOR	50V B K 330PF	
	C 611	GJ270111070310	E.CAPACITOR	10V VX M 100UF	
	C 612	GJ264271032101	C.CAPACITOR	16V Y M 0.01UF	
	C 613	GJ283102222415	M.CAPACITOR	50V K 0.0022UF	
	C 614	GJ270191050310	E.CAPACITOR	50V VX M 1UF	
	C 615	GJ264143312101	C.CAPACITOR	50V B K 330PF	
	C 616	GJ270191050310	E.CAPACITOR	50V VX M 1UF	
	C 617	GJ270191050310	E.CAPACITOR	50V VX M 1UF	
	C 618	GJ264271032101	C.CAPACITOR	16V Y M 0.01UF	
	C 619	GJ270111070310	E.CAPACITOR	10V VX M 100UF	
	C 620	GJ264271032101	C.CAPACITOR	16V Y M 0.01UF	
	C 621	GJ263311052407	E.CAPACITOR	25V Z 1UF	
	C 622	GJ270111070310	E.CAPACITOR	10V VX M 100UF	
	C 623	GJ270111070310	E.CAPACITOR	10V VX M 100UF	
	C 624	GJ264271032101	C.CAPACITOR	16V Y M 0.01UF	
	C 625	GJ264100562101	C.CAPACITOR	50V CH K 5.6PF	
	C 626	GJ264100562101	C.CAPACITOR	50V CH K 5.6PF	
	C 628	GJ270111070310	E.CAPACITOR	10V VX M 100UF	
	C 629	GJ112446991	E.CAPACITOR	220UF 20% 6.3V	
	C 630	GJ264271032101	C.CAPACITOR	16V Y M 0.01UF	
	C 631	GJ263311052407	E.CAPACITOR	25V Z 1UF	
	C 632	GJ264191042101	C.CAPACITOR	50V F Z 0.1UF	
	C 633	GJ116229121	C.CAPACITOR	560PF B 10% 50V	
	C 634	GJ116229121	C.CAPACITOR	560PF B 10% 50V	
	C 635	GJ264141022101	C.CAPACITOR	50V B K 1000PF	
	C 637	GJ264271032101	C.CAPACITOR	16V Y M 0.01UF	
	C 638	GJ270111070310	E.CAPACITOR	10V VX M 100UF	
	CN601	GJ340051070107	CONNECTOR	BB 7PIN	
	CN602	GJ340051070107	CONNECTOR	BB 7PIN	
	D 601	GJ871999133	DIODE	1SS133T77	
	D 602	GJ871999133	DIODE	1SS133T77	
	D 603	GJ871999133	DIODE	1SS133T77	
	IC601	GJ313090311201	IC	TC9409BF	
	L 601	GJ141033031	MICRO INDUCTOR	22CH	
	L 603	GJ141039721	F.BEAD INDUCTOR	1.1UH	
	L 605	GJ141039721	F.BEAD INDUCTOR	1.1UH	
	L 606	VQZ0048009	CORE	EMI BEAD CORE	
	LC601	GJ360030010009	EMI FILTER	(EXCEMT222DITY)	
	Q 601	GJ312090082203	TRANSISTOR	2SA933SR	
	Q 602	GJ872902967	TRANSISTOR	DTC114ESA	
	R 601	GJ250081022103	CARBON RESISTOR	1/6W J 1K	
	R 602	GJ250081022103	CARBON RESISTOR	1/6W J 1K	
	R 603	GJ250081032103	CARBON RESISTOR	1/6W J 10K	
	R 604	GJ250081032103	CARBON RESISTOR	1/6W J 10K	
	R 605	GJ250081032103	CARBON RESISTOR	1/6W J 10K	
	R 606	GJ250081032103	CARBON RESISTOR	1/6W J 10K	
	R 607	GJ250081032103	CARBON RESISTOR	1/6W J 10K	
	R 608	GJ250081032103	CARBON RESISTOR	1/6W J 10K	
	R 609	GJ250081032103	CARBON RESISTOR	1/6W J 10K	
	R 610	GJ250081032103	CARBON RESISTOR	1/6W J 10K	
	R 611	GJ250081032103	CARBON RESISTOR	1/6W J 10K	
	R 612	GJ250084732103	CARBON RESISTOR	1/6W J 47K	
	R 613	GJ250084732103	CARBON RESISTOR	1/6W J 47K	
	R 614	GJ250081002103	CARBON RESISTOR	1/6W J 10	

△	Item	Parts number	Parts name	Remarks	Area
	R 615	GJ250081002103	CARBON RESISTOR	1/6W J 10	
	R 616	GJ250082792103	CARBON RESISTOR	1/6W J 2.7	
	R 617	GJ250082222103	CARBON RESISTOR	1/6W J 2.2K	
	R 618	GJ250082222103	CARBON RESISTOR	1/6W J 2.2K	
	R 619	GJ250082222103	CARBON RESISTOR	1/6W J 2.2K	
	R 620	GJ250082222103	CARBON RESISTOR	1/6W J 2.2K	
	R 621	GJ250081002103	CARBON RESISTOR	1/6W J 10	
	R 622	GJ250081042103	CARBON RESISTOR	1/6W J 100K	
	R 623	GJ250081042103	CARBON RESISTOR	1/6W J 100K	
	R 624	GJ250086802103	CARBON RESISTOR	1/6W J 100	
	R 625	GJ250081032103	CARBON RESISTOR	1/6W J 10K	
	R 626	GJ250084722103	CARBON RESISTOR	1/6W J 4.7K	
	R 627	GJ250082232103	CARBON RESISTOR	1/6W J 22K	
	X 601	GJ361000280009	CRYSTAL	(22.5792MHZ)	

■ Electrical parts list (Power transf.board)

Block No. 05

△	Item	Parts number	Parts name	Remarks	Area
	F 997	GJ369000400004	FUSE	250V T1.25A	
	F 998	GJ369000400004	FUSE	250V T1.25A	
	F 999	GJ369000130004	FUSE	1.6A 250V	
	FT997	GJ153321741	FUSE HOLDER	FOR TWO USE	
	FT998	GJ153321741	FUSE HOLDER	FOR TWO USE	
	FT999	GJ153321741	FUSE HOLDER	FOR TWO USE	
	FW999	GJ353100190107	CABLE	10PINS	
	TP999	GJ336660100013	POWER TRANSF.		

■ Electrical parts list (Vol.sel.board)

Block No. 06

△	Item	Parts number	Parts name	Remarks	Area
	F 996	GJ369000390004	FUSE	T800MA 250V	
	FT996	GJ153321741	FUSE HOLDER	FOR TWO USE	
	S 999	GJ390180043221	VO.SELECTOR	CMTA98070301	

■ Electrical parts list (Video cd board)

Block No. 07

△	Item	Parts number	Parts name	Remarks	Area
	C 101	GJ214021043401	CHIP CAPACITOR	1608 0.1UF 25V	
	C 102	GJ214021043401	CHIP CAPACITOR	1608 0.1UF 25V	
	C 103	GJ214021043401	CHIP CAPACITOR	1608 0.1UF 25V	
	C 105	GJ214021043401	CHIP CAPACITOR	1608 0.1UF 25V	
	C 106	GJ214021043401	CHIP CAPACITOR	1608 0.1UF 25V	
	C 107	GJ214021043401	CHIP CAPACITOR	1608 0.1UF 25V	
	C 110	GJ214021043401	CHIP CAPACITOR	1608 0.1UF 25V	
	C 112	GJ214021043401	CHIP CAPACITOR	1608 0.1UF 25V	
	C 113	GJ214021043401	CHIP CAPACITOR	1608 0.1UF 25V	
	C 115	GJ214021043401	CHIP CAPACITOR	1608 0.1UF 25V	
	C 116	GJ214021043401	CHIP CAPACITOR	1608 0.1UF 25V	
	C 122	GJ210131503401	CHIP CAPACITOR	1608 15PF 50V J CH	
	C 124	GJ214021043401	CHIP CAPACITOR	1608 0.1UF 25V	
	C 125	GJ214021043401	CHIP CAPACITOR	1608 0.1UF 25V	
	C 126	GJ270102267814	CHIP E.CAPACITOR	6.3V RV2 22UF	
	C 127	GJ214021043401	CHIP CAPACITOR	1608 0.1UF 25V	
	C 128	GJ270174767814	CHIP E.CAPACITOR	4V RV2 47UF	
	C 131	GJ214021043401	CHIP CAPACITOR	1608 0.1UF 25V	
	C 133	GJ214021043401	CHIP CAPACITOR	1608 0.1UF 25V	
	C 134	GJ214021043401	CHIP CAPACITOR	1608 0.1UF 25V	
	C 135	GJ214021043401	CHIP CAPACITOR	1608 0.1UF 25V	
	C 136	GJ214102723401	CHIP CAPACITOR	1608 2700PF 25V	
	C 141	GJ214104723401	CHIP CAPACITOR	1608 4700PF 25V	
	C 143	GJ214101823401	CHIP CAPACITOR	1608 1800PF 25V	
	C 144	GJ214101823401	CHIP CAPACITOR	1608 1800PF 25V	
	C 151	GJ214021043401	CHIP CAPACITOR	1608 0.1UF 25V	
	C 152	GJ270102267814	CHIP E.CAPACITOR	6.3V RV2 22UF	
	C 154	GJ270102267814	CHIP E.CAPACITOR	6.3V RV2 22UF	
	C 156	GJ270102267814	CHIP E.CAPACITOR	6.3V RV2 22UF	
	C 157	GJ270102267814	CHIP E.CAPACITOR	6.3V RV2 22UF	
	C 159	GJ214101023401	CHIP CAPACITOR	1608 1000PF 25V	
	C 168	GJ214104713401	CHIP CAPACITOR	1608 470PF 25V	
	C 170	GJ214104713401	CHIP CAPACITOR	1608 470PF 25V	
	C 181	GJ214021043401	CHIP CAPACITOR	1608 0.1UF 25V	
	CN101	GJ340123150109	CONNECTOR	15PIN	
	CN102	GJ345203120109	CONNECTOR WAFER	12PIN	
	CN103	GJ345203060109	CONNECTOR WAFER	6PIN	
	D 141	GJ310030330205	ZENER DIODE	UDZ4.7B	
	D 142	GJ871998861	DIODE	1SS355	
	IC101	GJ313040501212	IC	CL480F1	
	IC102	GJ313050201305	IC	LH531HEG	
	IC103	GJ313040470102	IC	UPD424260LE-70	
	IC104	GJ313010621203	IC	BU1424K	
	IC105	GJ313020371303	IC	BU2173F	
	IC106	GJ313060391302	IC	UPD6461GS635	
	IC107	GJ313020361005	IC	PQ20VZ11	
	IC108	GJ313070441001	IC	TC7SH04FU	
	IC111	GJ313010611212	IC	MN171601AK8J2	
	IC112	GJ313050211301	IC	TC55257DFL85L	
	IC113	GJ313070461320	IC	HD74HCT244FP	
	IC114	GJ313070471320	IC	HD74HCT245FP	
	K 101	GJ242010010201	CHIP F.BEAD	MMZ2012Y102B (2125)	
	K 103	GJ242010010201	CHIP F.BEAD	MMZ2012Y102B (2125)	
	L 102	GJ240012793401	INDUCTOR	(2125) 2.7UH K BL-4	
	Q 101	GJ872902723	TRANSISTOR	DTA114EKAT146	
	Q 141	GJ872990181	TRANSISTOR	2SC2412KT146R	
	R 102	GJ200954732403	CHIP RESISTOR	1608 1/10W J 47K	
	R 103	GJ200951032403	CHIP RESISTOR	1608 1/10W J 10K	
	R 104	GJ200951052403	CHIP RESISTOR	1608 1/10W J 1M	
	R 107	GJ200951222403	CHIP RESISTOR	1608 1/10W J 1.2K	
	R 109	GJ200957502403	CHIP RESISTOR	1608 1/10W J 75	
	R 111	GJ200951822403	CHIP RESISTOR	1608 1/10W J 1.8K	
	R 112	GJ200951122403	CHIP RESISTOR	1608 1/10W J 1.1K	

△	Item	Parts number	Parts name	Remarks	Area
	R 113	GJ200951022401	CHIP RESISTOR	1608 1/10W J 1K	
	R 115	GJ200950092403	CHIP RESISTOR	1608 1/10W J 0	
	R 121	GJ200951022401	CHIP RESISTOR	1608 1/10W J 1K	
	R 122	GJ200951022401	CHIP RESISTOR	1608 1/10W J 1K	
	R 123	GJ200951022401	CHIP RESISTOR	1608 1/10W J 1K	
	R 124	GJ200951022401	CHIP RESISTOR	1608 1/10W J 1K	
	R 125	GJ200951022401	CHIP RESISTOR	1608 1/10W J 1K	
	R 135	GJ200951212403	CHIP RESISTOR	1608 1/10W J 120	
	R 141	GJ200957502403	CHIP RESISTOR	1608 1/10W J 75	
	R 142	GJ200955622403	CHIP RESISTOR	1608 1/10W J 5.6K	
	R 147	GJ200954712403	CHIP RESISTOR	1608 1/10W J 470	
	R 148	GJ200951522403	CHIP RESISTOR	1608 1/10W J 1.5K	
	R 149	GJ200951522403	CHIP RESISTOR	1608 1/10W J 1.5K	
	R 150	GJ200950092403	CHIP RESISTOR	1608 1/10W J 0	
	R 155	GJ200952712403	CHIP RESISTOR	1608 1/10W J 270	
	R 156	GJ200953912403	CHIP RESISTOR	1608 1/10W J 390	
	R 157	GJ200950092403	CHIP RESISTOR	1608 1/10W J 0	
	R 191	GJ200958202403	CHIP RESISTOR	1608 1/10W J 82	
	R 192	GJ200958202403	CHIP RESISTOR	1608 1/10W J 82	
	R 193	GJ200958202403	CHIP RESISTOR	1608 1/10W J 82	
	R 194	GJ200957502403	CHIP RESISTOR	1608 1/10W J 75	
	TC101	GJ239000010001	TRIMMER CAPCITOR	ECRJA020E12	
	X 101	GJ361000300009	X'TAL CRYSTAL	DSX151GA 13.5MH	

■ Electrical parts list (Display board)

Block No. 08

Item	Parts number	Parts name	Remarks	Area	Item	Parts number	Parts name	Remarks	Area
C 461	GJ270124760310	E.CAPACITOR	16V VX M 47UF		Q 772	GJ872914245	TRANSISTOR		
C 462	GJ116229421	C.CAPACITOR	1000PF BK 10% 50V		Q 773	GJ872914245	TRANSISTOR		
C 701	GJ270192260310	E.CAPACITOR	50V VX M 22UF		R 700	GJ250081032103	CARBON RESISTOR	1/6W J 10K	
C 702	GJ270192260310	E.CAPACITOR	50V VX M 22UF		R 701	GJ250082212103	CARBON RESISTOR	1/6W J 220	
C 703	GJ282031242415	M.CAPACITOR	50V J 0.12UF		R 702	GJ250082212103	CARBON RESISTOR	1/6W J 220	
C 708	GJ116228421	C.CAPACITOR	150PF B 10% 50V		R 703	GJ250082222103	CARBON RESISTOR	1/6W J 2.2K	
C 713	GJ116229421	C.CAPACITOR	1000PF BK 10% 50V		R 704	GJ250081022103	CARBON RESISTOR	1/6W J 1K	
C 714	GJ116229421	C.CAPACITOR	1000PF BK 10% 50V		R 705	GJ250082222103	CARBON RESISTOR	1/6W J 2.2K	
C 715	GJ270121060310	E.CAPACITOR	16V VX M 10UF		R 707	GJ250081022103	CARBON RESISTOR	1/6W J 1K	
C 716	GJ270191050310	E.CAPACITOR	50V VX M 1UF		R 708	GJ250082222103	CARBON RESISTOR	1/6W J 2.2K	
C 717	GJ270111080110	E.CAPACITOR	10V VX M 1000UF		R 709	GJ250082222103	CARBON RESISTOR	1/6W J 2.2K	
C 718	GJ270111070310	E.CAPACITOR	10V VX M 100UF		R 710	GJ250082222103	CARBON RESISTOR	1/6W J 2.2K	
C 719	GJ116229421	C.CAPACITOR	1000PF BK 10% 50V		R 712	GJ250082222103	CARBON RESISTOR	1/6W J 2.2K	
C 720	GJ264032202101	C.CAPACITOR	50V SL J 22PF		R 713	GJ250082222103	CARBON RESISTOR	1/6W J 2.2K	
C 721	GJ264032202101	C.CAPACITOR	50V SL J 22PF		R 714	GJ250082222103	CARBON RESISTOR	1/6W J 2.2K	
C 722	GJ116229421	C.CAPACITOR	1000PF BK 10% 50V		R 715	GJ250082222103	CARBON RESISTOR	1/6W J 2.2K	
C 723	GJ264033902101	C.CAPACITOR	50V SL J 39PF		R 716	GJ250082222103	CARBON RESISTOR	1/6W J 2.2K	
C 724	GJ116220521	C.CAPACITOR	18PF SL 5% 50V		R 717	GJ250082222103	CARBON RESISTOR	1/6W J 2.2K	
C 725	GJ264032202101	C.CAPACITOR	50V SL J 22PF		R 718	GJ250082222103	CARBON RESISTOR	1/6W J 2.2K	
C 726	GJ264033902101	C.CAPACITOR	50V SL J 39PF		R 719	GJ250082222103	CARBON RESISTOR	1/6W J 2.2K	
C 727	GJ116229421	C.CAPACITOR	1000PF BK 10% 50V		R 720	GJ250082222103	CARBON RESISTOR	1/6W J 2.2K	
C 730	GJ116229421	C.CAPACITOR	1000PF BK 10% 50V		R 721	GJ250081022103	CARBON RESISTOR	1/6W J 1K	
C 735	GJ270124760310	E.CAPACITOR	16V VX M 47UF		R 722	GJ250082212103	CARBON RESISTOR	1/6W J 220	
C 737	GJ116228421	C.CAPACITOR	150PF B 10% 50V		R 723	GJ250082212103	CARBON RESISTOR	1/6W J 220	
C 739	GJ116230621	C.CAPACITOR	10000PF Y 20% 16V		R 724	GJ250082212103	CARBON RESISTOR	1/6W J 220	
C 740	GJ116230621	C.CAPACITOR	10000PF Y 20% 16V		R 725	GJ250082222103	CARBON RESISTOR	1/6W J 2.2K	
CN700	GJ340021110108	CONNECTOR	11PIN		R 726	GJ250082212103	CARBON RESISTOR	1/6W J 220	
CN701	GJ340021130108	CONNECTOR	13PIN		R 727	GJ250081022103	CARBON RESISTOR	1/6W J 1K	
CN702	GJ340021170108	CONNECTOR	17PIN		R 728	GJ250082222103	CARBON RESISTOR	1/6W J 2.2K	
D 701	GJ871999133	DIODE	1SS133T77		R 729	GJ250081022103	CARBON RESISTOR	1/6W J 1K	
D 702	GJ871999133	DIODE	1SS133T77		R 730	GJ250081032103	CARBON RESISTOR	1/6W J 10K	
D 703	GJ871999133	DIODE	1SS133T77		R 731	GJ250081022103	CARBON RESISTOR	1/6W J 1K	
D 704	GJ871999133	DIODE	1SS133T77		R 732	GJ250082222103	CARBON RESISTOR	1/6W J 2.2K	
D 705	GJ871992333	ZENER DIODE	MTZJT775.1A		R 733	GJ250082222103	CARBON RESISTOR	1/6W J 2.2K	
D 706	GJ871999133	DIODE	1SS133T77		R 736	GJ250082222103	CARBON RESISTOR	1/6W J 2.2K	
D 708	GJ871999133	DIODE	1SS133T77		R 737	GJ250082222103	CARBON RESISTOR	1/6W J 2.2K	
D 709	GJ871999133	DIODE	1SS133T77		R 739	GJ250081032103	CARBON RESISTOR	1/6W J 10K	
FL701	GJ373020021510	DISPLAY	FL QLF0047001		R 741	GJ250081032103	CARBON RESISTOR	1/6W J 10K	
FW701	GJ353030060107	FLAT CABLE	3PIN		R 743	GJ250081032103	CARBON RESISTOR	1/6W J 10K	
FW702	GJ353030070107	FLAT CABLE	3PIN		R 744	GJ250081032103	CARBON RESISTOR	1/6W J 10K	
FW703	GJ353030070107	FLAT CABLE	3PIN		R 745	GJ250084732103	CARBON RESISTOR	1/6W J 47K	
FW704	GJ353040080107	FLAT CABLE	4PIN		R 747	GJ250081022103	CARBON RESISTOR	1/6W J 1K	
FW705	GJ353050080107	FLAT CABLE	5PIN		R 748	GJ250081032103	CARBON RESISTOR	1/6W J 10K	
IC404	GJ313080511045	IC	IRM8602S		R 750	GJ250081032103	CARBON RESISTOR	1/6W J 10K	
IC701	GJ313070451202	IC	UPD78044FGF0893B9		R 752	GJ250081032103	CARBON RESISTOR	1/6W J 10K	
L 701	GJ241134701201	INDUCTOR	47UH		R 753	GJ250082222103	CARBON RESISTOR	1/6W J 2.2K	
L 702	GJ241134701201	INDUCTOR	47UH		R 754	GJ250084722103	CARBON RESISTOR	1/6W J 4.7K	
L 703	GJ141050931	INDUCTOR	10UH 5%		R 756	GJ250081042103	CARBON RESISTOR	1/6W J 100K	
L 704	GJ141032431	INDUCTOR	4.7UH 10%		R 757	GJ250081032103	CARBON RESISTOR	1/6W J 10K	
L 705	GJ141032431	INDUCTOR	4.7UH 10%		R 758	GJ250081032103	CARBON RESISTOR	1/6W J 10K	
L 706	GJ141050931	INDUCTOR	10UH 5%		R 761	GJ250081032103	CARBON RESISTOR	1/6W J 10K	
L 707	GJ141050931	INDUCTOR	10UH 5%		R 762	GJ250081042103	CARBON RESISTOR	1/6W J 100K	
L 708	GJ141033031	INDUCTOR	22UH 10%		R 763	GJ250081022103	CARBON RESISTOR	1/6W J 1K	
L 709	GJ141039721	F.BEAD INDUCTOR	1.1UH		R 764	GJ250082732103	CARBON RESISTOR	1/6W J 27K	
Q 703	GJ872910138	TRANSISTOR	2SC2785TP(E.F)		R 765	GJ250083312103	CARBON RESISTOR	1/6W J 330	
Q 704	GJ872990440	TRANSISTOR	DTC114TSTP		R 766	GJ250081022103	CARBON RESISTOR	1/6W J 1K	
Q 705	GJ872910154	TRANSISTOR	2SA1175TPF		R 767	GJ250081022103	CARBON RESISTOR	1/6W J 1K	
Q 706	GJ312020351201	TRANSISTOR	2SC2668/0/T		R 768	GJ250082222103	CARBON RESISTOR	1/6W J 2.2K	
Q 707	GJ312020351201	TRANSISTOR	2SC2668/0/T		R 769	GJ250082222103	CARBON RESISTOR	1/6W J 2.2K	
Q 708	GJ872910138	TRANSISTOR	2SC2785TP(E.F)		R 770	GJ250082232103	CARBON RESISTOR	1/6W J 22K	
Q 709	GJ872910138	TRANSISTOR	2SC2785TP(E.F)		R 771	GJ250082232103	CARBON RESISTOR	1/6W J 22K	
Q 711	GJ872902921	TRANSISTOR	DTA114ESATP		R 772	GJ250081032103	CARBON RESISTOR	1/6W J 10K	
Q 771	GJ872914245	TRANSISTOR			R 773	GJ250081032103	CARBON RESISTOR	1/6W J 10K	

■ Electrical parts list (Display board)

Block No. 08

△	Item	Parts number	Parts name	Remarks	Area
	R 774	GJ250084722103	CARBON RESISTOR	1/6W J 4.7K	
	R 775	GJ250083312103	CARBON RESISTOR	1/6W J 330	
	R 776	GJ250081032103	CARBON RESISTOR	1/6W J 10K	
	R 777	GJ250081022103	CARBON RESISTOR	1/6W J 1K	
	R 779	GJ250081052103	CARBON RESISTOR	1/6W J 1M	
	R 780	GJ250084722103	CARBON RESISTOR	1/6W J 4.7K	
	R 781	GJ250088222103	CARBON RESISTOR	1/6W J 8.2K	
	R 782	GJ250088222103	CARBON RESISTOR	1/6W J 8.2K	
	R 783	GJ250084722103	CARBON RESISTOR	1/6W J 4.7K	
	R 784	GJ250082222103	CARBON RESISTOR	1/6W J 2.2K	
	R 785	GJ250081032103	CARBON RESISTOR	1/6W J 10K	
	R 786	GJ250081032103	CARBON RESISTOR	1/6W J 10K	
	R 787	GJ250081032103	CARBON RESISTOR	1/6W J 10K	
	R 788	GJ250082222103	CARBON RESISTOR	1/6W J 2.2K	
	R 789	GJ250081032103	CARBON RESISTOR	1/6W J 10K	
	R 791	GJ250081022103	CARBON RESISTOR	1/6W J 1K	
	R 800	GJ250081032103	CARBON RESISTOR	1/6W J 10K	
	R 804	GJ250088232103	CARBON RESISTOR	1/6W J 82K	
	R 805	GJ250088232103	CARBON RESISTOR	1/6W J 82K	
	R 806	GJ250083942103	CARBON RESISTOR	1/6W J 390K	
	R 807	GJ250083942103	CARBON RESISTOR	1/6W J 390K	
	R 808	GJ250081042103	CARBON RESISTOR	1/6W J 100K	
	R 809	GJ250081042103	CARBON RESISTOR	1/6W J 100K	
	RA701	GJ250082242103	CARBON RESISTOR	1/6W J 220K	
	RA702	GJ250082242103	CARBON RESISTOR	1/6W J 220K	
	RA703	GJ250082242103	CARBON RESISTOR	1/6W J 220K	
	RA704	GJ250082242103	CARBON RESISTOR	1/6W J 220K	
	RA705	GJ250082242103	CARBON RESISTOR	1/6W J 220K	
	RA706	GJ250082242103	CARBON RESISTOR	1/6W J 220K	
	RA707	GJ250082242103	CARBON RESISTOR	1/6W J 220K	
	RA708	GJ250082242103	CARBON RESISTOR	1/6W J 220K	
	RA709	GJ250082242103	CARBON RESISTOR	1/6W J 220K	
	RA710	GJ250082242103	CARBON RESISTOR	1/6W J 220K	
	RA711	GJ250082242103	CARBON RESISTOR	1/6W J 220K	
	RA712	GJ250082242103	CARBON RESISTOR	1/6W J 220K	
	RA713	GJ250082242103	CARBON RESISTOR	1/6W J 220K	
	RA714	GJ250082242103	CARBON RESISTOR	1/6W J 220K	
	RA715	GJ250082242103	CARBON RESISTOR	1/6W J 220K	
	RA716	GJ250082242103	CARBON RESISTOR	1/6W J 220K	
	RA717	GJ250082242103	CARBON RESISTOR	1/6W J 220K	
	RA718	GJ250082242103	CARBON RESISTOR	1/6W J 220K	
	RA719	GJ250082242103	CARBON RESISTOR	1/6W J 220K	
	RA720	GJ250082242103	CARBON RESISTOR	1/6W J 220K	
	RA721	GJ250082242103	CARBON RESISTOR	1/6W J 220K	
	RA722	GJ250082242103	CARBON RESISTOR	1/6W J 220K	
	RA723	GJ250082242103	CARBON RESISTOR	1/6W J 220K	
	RA724	GJ250082242103	CARBON RESISTOR	1/6W J 220K	
	RA725	GJ250082242103	CARBON RESISTOR	1/6W J 220K	
	RA726	GJ250082242103	CARBON RESISTOR	1/6W J 220K	
	RA727	GJ250082242103	CARBON RESISTOR	1/6W J 220K	
	RA738	GJ250082242103	CARBON RESISTOR	1/6W J 220K	
	RA740	GJ250082242103	CARBON RESISTOR	1/6W J 220K	
	RA742	GJ250082242103	CARBON RESISTOR	1/6W J 220K	
	RA755	GJ250082242103	CARBON RESISTOR	1/6W J 220K	
	RA778	GJ250082242103	CARBON RESISTOR	1/6W J 220K	
	X 701	GJ361000230009	CRYSTAL	32.768KHZ	
	X 702	GJ157990121	OSCILLATOR	4.19MHZ	

■ Electrical parts list (Power switch board)

Block No. 09

△	Item	Parts number	Parts name	Remarks	Area
	D 707	GJ374301012101	LED	L934HD	
	R 880	GJ250083012103	CARBON RESISTOR	1/6W J 300	
	S 709	GJ390110181120	TACT SWITCH		

■ Electrical parts list (Eject switch board)

Block No. 10

△	Item	Parts number	Parts name	Remarks	Area
	R 690	GJ250081022103	CARBON RESISTOR	1/6W J 1K	
	R 691	GJ250081222103	CARBON RESISTOR	1/6W J 1.2K	
	R 692	GJ250081522103	CARBON RESISTOR	1/6W J 1.5K	
	R 693	GJ250082222103	CARBON RESISTOR	1/6W J 2.2K	
	R 751	GJ250081022103	CARBON RESISTOR	1/6W J 1K	
	S 700	GJ390110181120	TACT SWITCH		
	S 701	GJ390110181120	TACT SWITCH		
	S 702	GJ390110181120	TACT SWITCH		
	S 703	GJ390110181120	TACT SWITCH		
	S 704	GJ390110181120	TACT SWITCH		
	S 705	GJ390110181120	TACT SWITCH		

■ Electrical parts list (Multi-control board)

Block No. 11

△	Item	Parts number	Parts name	Remarks	Area
	D 412	GJ374301022103	LED	SLR342MCT32	
	D 413	GJ374301022103	LED	SLR342MCT32	
	D 414	GJ374301022103	LED	SLR342MCT32	
	D 415	GJ374301022103	LED	SLR342MCT32	
	Q 470	GJ872902967	TRANSISTOR	DTC114ESATP	
	Q 471	GJ872902967	TRANSISTOR	DTC114ESATP	
	Q 472	GJ872902921	TRANSISTOR	DTA114ESATP	
	Q 473	GJ872902921	TRANSISTOR	DTA114ESATP	
	Q 474	GJ872902967	TRANSISTOR	DTC114ESATP	
	R 473	GJ250082022103	CARBON RESISTOR	1/6W J 2K	
	R 474	GJ250087522103	CARBON RESISTOR	1/6W J 7.5K	
	R 475	GJ250083922103	CARBON RESISTOR	1/6W J 3.9K	
	R 476	GJ250085622103	CARBON RESISTOR	1/6W J 5.6K	
	R 477	GJ250081032103	CARBON RESISTOR	1/6W J 10K	
	R 478	GJ250081832103	CARBON RESISTOR	1/6W J 18K	
	R 480	GJ250081032103	CARBON RESISTOR	1/6W J 10K	
	R 481	GJ250081832103	CARBON RESISTOR	1/6W J 18K	
	R 482	GJ250084732103	CARBON RESISTOR	1/6W J 47K	
	R 486	GJ250082712103	CARBON RESISTOR	1/6W J 270	
	R 487	GJ250082712103	CARBON RESISTOR	1/6W J 270	
	R 488	GJ250081212103	CARBON RESISTOR	1/6W J 120	
	R 489	GJ250081212103	CARBON RESISTOR	1/6W J 120	
	R 490	GJ250084722103	CARBON RESISTOR	1/6W J 4.7K	
	R 491	GJ250081022103	CARBON RESISTOR	1/6W J 1K	
	R 492	GJ250082222103	CARBON RESISTOR	1/6W J 2.2K	
	R 493	GJ250081522103	CARBON RESISTOR	1/6W J 1.5K	
	R 494	GJ250082222103	CARBON RESISTOR	1/6W J 2.2K	
	R 694	GJ250082722103	CARBON RESISTOR	1/6W J 2.7K	
	R 695	GJ250083922103	CARBON RESISTOR	1/6W J 3.9K	
	R 696	GJ250085622103	CARBON RESISTOR	1/6W J 5.6K	
	R 792	GJ250081022103	CARBON RESISTOR	1/6W J 1K	
	R 793	GJ250081222103	CARBON RESISTOR	1/6W J 1.2K	
	R 794	GJ250081522103	CARBON RESISTOR	1/6W J 1.5K	
	R 795	GJ250082222103	CARBON RESISTOR	1/6W J 2.2K	
	R 796	GJ250082722103	CARBON RESISTOR	1/6W J 2.7K	
	R 797	GJ250083922103	CARBON RESISTOR	1/6W J 3.9K	
	R 798	GJ250085622103	CARBON RESISTOR	1/6W J 5.6K	
	S 406	GJ390110181120	TACT SWITCH		
	S 407	GJ390110181120	TACT SWITCH		
	S 408	GJ390110181120	TACT SWITCH		
	S 409	GJ390110181120	TACT SWITCH		
	S 414	GJ390110181120	TACT SWITCH		
	S 415	GJ390110181120	TACT SWITCH		
	S 416	GJ390110181120	TACT SWITCH		
	S 417	GJ390110181120	TACT SWITCH		
	S 418	GJ390110181120	TACT SWITCH		
	S 422	GJ390110181120	TACT SWITCH		
	S 423	GJ390110181120	TACT SWITCH		
	S 424	GJ390110181120	TACT SWITCH		
	S 425	GJ390110181120	TACT SWITCH		
	S 426	GJ390110181120	TACT SWITCH		
	S 706	GJ390110181120	TACT SWITCH		
	S 707	GJ390110181120	TACT SWITCH		
	S 708	GJ390110181120	TACT SWITCH		
	S 710	GJ390110181120	TACT SWITCH		
	S 711	GJ390110181120	TACT SWITCH		
	S 712	GJ390110181120	TACT SWITCH		
	S 713	GJ390110181120	TACT SWITCH		
	S 714	GJ390110181120	TACT SWITCH		
	S 715	GJ390110181120	TACT SWITCH		

■ Electrical parts list (Volume board)

Block No. 12

△	Item	Parts number	Parts name	Remarks	Area
	C 733	GJ116230621	C.CAPACITOR	10000PF Y 20% 16V	
	C 734	GJ116230621	C.CAPACITOR	10000PF Y 20% 16V	
	JS701	GJ299000570003	VR ENCODER		

■ Electrical parts list(CD servo control board) Block No. 13

△	Item	Parts number	Parts name	Remarks	Area	△	Item	Parts number	Parts name	Remarks	Area
	C 251	NCS21HJ-100X	C CAPACITOR				CN651	QGF1016F1-19	CONNECTOR	MAIN	
	C 252	NCS21HJ-100X	C CAPACITOR				CN652	QGF1016F1-05	CONNECTOR	OSD	
	C 253	NCB21EK-104X	C CAPACITOR				CN653	QGF1016F1-13	CONNECTOR	CD TEXT	
	C 254	QERF1AM-476Z	E CAPACITOR	47MF 20% 10V			CN801	QGA2001C1-06	6P PLUG ASSY	TRAVERSE	
	C 255	NCB21EK-104X	C CAPACITOR				CN851	QGD2503F1-03	SOCKET	DISC DETECTION	
	C 281	NCB21HK-223X	C CAPACITOR				CN854	QGB2016K1-07	CONNECTOR	TRAY SWITCH	
	C 291	QERF1AM-476Z	E CAPACITOR	47MF 20% 10V			CN855	QGB2012K2-10	CONNECTOR	CAM SWITCH	
	C 601	NCB21HK-102X	C CAPACITOR				IC251	UPD78055GCA37	IC	MICOM	
	C 602	NCB21HK-102X	C CAPACITOR				IC601	AN8806SB-W	IC	RF AMP	
	C 603	NCB21HK-223X	C CAPACITOR				IC651	MN35510	IC	DSP & DAC	
	C 604	NCB21HK-223X	C CAPACITOR				IC801	BA6897FP-W	IC	PU DRIVE	
	C 605	NCS21HJ-271X	C CAPACITOR				IC851	TA8409S	IC	L MOTOR DRIVE	
	C 606	NCS21HJ-181X	C CAPACITOR				IC852	TA8409S	IC	R MOTOR DRIVE	
	C 607	NCB21HK-222X	C CAPACITOR				L 851	QQL01BK-100Z	INDUCTOR	VS DE-COUPLE	
	C 608	NCB21HK-223X	C CAPACITOR				L 853	QQL01BK-100Z	INDUCTOR	L MOTOR	
	C 610	NCB21EK-104X	C CAPACITOR				L 854	QQL01BK-100Z	INDUCTOR	R MOTOR	
	C 611	NCB21EK-104X	C CAPACITOR				Q 291	2SB1357/EF-T	TRANSISTOR		
	C 612	QER41HM-105	E CAPACITOR	1.0MF 20% 50V			Q 631	2SA1037AK/RS/-X	TRANSISTOR		
	C 613	NCS21HJ-101X	C CAPACITOR				Q 842	DTA144ES-T	TRANSISTOR		
	C 614	NCB21HK-273X	C CAPACITOR				R 251	NRSA02J-102X	MG RESISTOR		
	C 615	NCB21HK-472X	C CAPACITOR				R 252	NRSA02J-102X	MG RESISTOR		
	C 616	NCB21HK-103X	C CAPACITOR				R 253	NRSA02J-102X	MG RESISTOR		
	C 617	NCS21HJ-331X	C CAPACITOR				R 254	NRSA02J-102X	MG RESISTOR		
	C 621	NCB21EK-104X	C CAPACITOR				R 255	NRSA02J-102X	MG RESISTOR		
	C 623	NCF21CZ-105X	C CAPACITOR				R 256	NRSA02J-102X	MG RESISTOR		
	C 624	QER41AM-107	E CAPACITOR	100MF 20% 10V			R 257	NRSA02J-102X	MG RESISTOR		
	C 631	QER41CM-106	E CAPACITOR	10MF 20% 16V			R 258	NRSA02J-102X	MG RESISTOR		
	C 632	NCF21CZ-105X	C CAPACITOR				R 259	NRSA02J-101X	MG RESISTOR		
	C 633	NCB21HK-223X	C CAPACITOR				R 260	NRSA02J-102X	MG RESISTOR		
	C 651	NCS21HJ-120X	C CAPACITOR				R 261	NRSA02J-102X	MG RESISTOR		
	C 652	NCS21HJ-150X	C CAPACITOR				R 262	NRSA02J-102X	MG RESISTOR		
	C 653	NCB21EK-104X	C CAPACITOR				R 263	NRSA02J-102X	MG RESISTOR		
	C 654	NCB21HK-223X	C CAPACITOR				R 264	NRSA02J-102X	MG RESISTOR		
	C 655	QER41AM-227	E CAPACITOR	220MF 20% 10V			R 265	NRSA02J-223X	MG RESISTOR		
	C 656	NCB21EK-104X	C CAPACITOR				R 266	NRSA02J-102X	MG RESISTOR		
	C 657	NCB21HK-222X	C CAPACITOR				R 267	NRSA02J-102X	MG RESISTOR		
	C 658	NCB21HK-222X	C CAPACITOR				R 268	NRSA02J-102X	MG RESISTOR		
	C 661	NCB21EK-104X	C CAPACITOR				R 269	NRSA02J-102X	MG RESISTOR		
	C 662	QER41AM-107	E CAPACITOR	100MF 20% 10V			R 274	NRSA02J-102X	MG RESISTOR		
	C 663	NCB21EK-104X	C CAPACITOR				R 275	NRSA02J-102X	MG RESISTOR		
	C 664	NCB21HK-223X	C CAPACITOR				R 276	NRSA02J-102X	MG RESISTOR		
	C 665	NCB21HK-223X	C CAPACITOR				R 277	NRSA02J-102X	MG RESISTOR		
	C 666	NCS21HJ-471X	C CAPACITOR				R 278	NRSA02J-102X	MG RESISTOR		
	C 667	NCF21CZ-105X	C CAPACITOR				R 279	NRSA02J-102X	MG RESISTOR		
	C 668	NCB21HK-473X	C CAPACITOR				R 281	NRSA02J-102X	MG RESISTOR		
	C 671	NCB21EK-104X	C CAPACITOR				R 282	NRSA02J-102X	MG RESISTOR		
	C 672	QER41AM-107	E CAPACITOR	100MF 20% 10V			R 283	NRSA02J-102X	MG RESISTOR		
	C 801	NCB21HK-822X	C CAPACITOR				R 284	NRSA02J-102X	MG RESISTOR		
	C 802	NCB21HK-152X	C CAPACITOR				R 285	NRSA02J-102X	MG RESISTOR		
	C 811	NCS21HJ-221X	C CAPACITOR				R 286	NRSA02J-102X	MG RESISTOR		
	C 812	NCS21HJ-221X	C CAPACITOR				R 287	NRSA02J-102X	MG RESISTOR		
	C 813	NCS21HJ-221X	C CAPACITOR				R 288	NRSA02J-102X	MG RESISTOR		
	C 814	NCS21HJ-221X	C CAPACITOR				R 291	NRSA02J-122X	MG RESISTOR		
	C 821	NCF21CZ-105X	C CAPACITOR				R 292	NRSA02J-103X	MG RESISTOR		
	C 822	QER41AM-227	E CAPACITOR	220MF 20% 10V			R 293	NRSA02J-102X	MG RESISTOR		
	C 851	QER41CM-106	E CAPACITOR	10MF 20% 16V			R 601	NRSA02J-274X	MG RESISTOR		
	C 852	QER41CM-106	E CAPACITOR	10MF 20% 16V			R 602	NRSA02J-154X	MG RESISTOR		
	C 855	NCB21EK-104X	C CAPACITOR				R 603	NRSA02J-273X	MG RESISTOR		
	C 859	NCF21CZ-105X	C CAPACITOR				R 604	NRSA02J-104X	MG RESISTOR		
	C 860	NCF21CZ-105X	C CAPACITOR				R 605	NRSA02J-154X	MG RESISTOR		
	CN151	QGF1016F1-15	15FFC CONNECTOR	VIDEO CD			R 606	NRSA02J-474X	MG RESISTOR		
	CN152	QGA2001F1-12	12P CN RIG	VIDEO CD			R 607	NRSA02J-102X	MG RESISTOR		
	CN601	QGF1016F1-15	15FFC CONNECTOR	TRAVERSE			R 611	NRSA02J-113X	MG RESISTOR		

■ Electrical parts list (CD servo control board) Block No. 13

△	Item	Parts number	Parts name	Remarks	Area
	R 612	NRSA02J-125X	MG RESISTOR		
	R 631	NRSA02J-2R2X	MG RESISTOR		
	R 632	NRSA02J-100X	MG RESISTOR		
	R 634	NRSA02J-120X	MG RESISTOR		
	R 635	NRSA02J-121X	MG RESISTOR		
	R 636	NRSA02J-910X	MG RESISTOR		
	R 651	NRSA02J-271X	MG RESISTOR		
	R 652	NRSA02J-220X	MG RESISTOR		
	R 657	NRSA02J-102X	MG RESISTOR		
	R 658	NRSA02J-102X	MG RESISTOR		
	R 661	NRSA02J-220X	MG RESISTOR		
	R 662	NRSA02J-471X	MG RESISTOR		
	R 663	NRSA02J-124X	MG RESISTOR		
	R 665	NRSA02J-683X	MG RESISTOR		
	R 666	NRSA02J-155X	MG RESISTOR		
	R 667	NRSA02J-562X	MG RESISTOR		
	R 671	NRSA02J-102X	MG RESISTOR		
	R 672	NRSA02J-102X	MG RESISTOR		
	R 673	NRSA02J-102X	MG RESISTOR		
	R 674	NRSA02J-101X	MG RESISTOR		
	R 675	NRSA02J-102X	MG RESISTOR		
	R 676	NRSA02J-102X	MG RESISTOR		
	R 677	NRSA02J-102X	MG RESISTOR		
	R 678	NRSA02J-102X	MG RESISTOR		
	R 679	NRSA02J-102X	MG RESISTOR		
	R 680	NRSA02J-102X	MG RESISTOR		
	R 681	NRSA02J-102X	MG RESISTOR		
	R 682	NRSA02J-102X	MG RESISTOR		
	R 683	NRSA02J-102X	MG RESISTOR		
	R 684	NRSA02J-271X	MG RESISTOR		
	R 685	NRSA02J-102X	MG RESISTOR		
	R 686	NRSA02J-101X	MG RESISTOR		
	R 687	NRSA02J-102X	MG RESISTOR		
	R 688	NRSA02J-101X	MG RESISTOR		
	R 689	NRSA02J-102X	MG RESISTOR		
	R 690	NRSA02J-101X	MG RESISTOR		
	R 691	NRSA02J-101X	MG RESISTOR		
	R 692	NRSA02J-101X	MG RESISTOR		
	R 693	NRSA02J-471X	MG RESISTOR		
	R 694	NRSA02J-102X	MG RESISTOR		
	R 801	NRSA02J-222X	MG RESISTOR		
	R 802	NRSA02J-472X	MG RESISTOR		
	R 803	NRSA02J-123X	MG RESISTOR		
	R 804	NRSA02J-154X	MG RESISTOR		
	R 805	NRSA02J-123X	MG RESISTOR		
	R 806	NRSA02J-223X	MG RESISTOR		
	R 807	NRSA02J-222X	MG RESISTOR		
	R 808	NRSA02J-223X	MG RESISTOR		
	R 811	NRSA02J-473X	MG RESISTOR		
	R 812	NRSA02J-223X	MG RESISTOR		
	R 831	NRSA02J-151X	MG RESISTOR		
	R 832	NRSA02J-103X	MG RESISTOR		
	R 842	NRSA02J-472X	MG RESISTOR		
	R 851	NRSA02J-102X	MG RESISTOR		
	R 852	NRSA02J-102X	MG RESISTOR		
	R 853	NRSA02J-102X	MG RESISTOR		
	R 854	NRSA02J-102X	MG RESISTOR		
	R 855	NRSA02J-102X	MG RESISTOR		
	R 856	NRSA02J-102X	MG RESISTOR		
	R 857	NRSA02J-272X	MG RESISTOR		
	R 859	NRSA02J-181X	MG RESISTOR		
	R 861	NRSA02J-102X	MG RESISTOR		
	R 862	NRSA02J-102X	MG RESISTOR		

△	Item	Parts number	Parts name	Remarks	Area
	R 863	NRSA02J-102X	MG RESISTOR		
	R 864	NRSA02J-102X	MG RESISTOR		
	R 865	NRSA02J-102X	MG RESISTOR		
	R 866	NRSA02J-102X	MG RESISTOR		
	R 880	NRSA02J-102X	MG RESISTOR		
	R 881	NRSA02J-102X	MG RESISTOR		
	R 882	NRSA02J-102X	MG RESISTOR		
	R 883	NRSA02J-102X	MG RESISTOR		
	R 884	NRSA02J-102X	MG RESISTOR		
	R 885	NRSA02J-102X	MG RESISTOR		
	R 886	NRSA02J-102X	MG RESISTOR		
	R 887	NRSA02J-102X	MG RESISTOR		
	W 601	QUB220-07HPDT	SIN TWIST WIRE	D.GND	
	X 251	QAX0360-001Z	CRYSTAL	FOR IC251	
	X 651	QAX0413-001Z	CRYSTAL	FOR IC651	

■ Electrical parts list (CD select switch board) Block No. 14

△	Item	Parts number	Parts name	Remarks	Area
	CN804	QGB2016J1-07	CONNECTOR		
	SW 1	QSW0859-001	DETECT SWITCH		
	SW 2	QSW0859-001	DETECT SWITCH		
	SW 3	QSW0859-001	DETECT SWITCH		
	SW 4	QSW0859-001	DETECT SWITCH		
	SW 5	QSW0859-001	DETECT SWITCH		
	SW 6	QSW0859-001	DETECT SWITCH		

■ Electrical parts list

(Head amplifier&mechanism control board) Block No. 15

△	Item	Parts number	Parts name	Remarks	Area	△	Item	Parts number	Parts name	Remarks	Area
	C 101	NCS21HJ-561X	C CAPACITOR				C 339	QEK41CM-476	E CAPACITOR	47MF 20% 16V	
	C 102	NCS21HJ-331X	C CAPACITOR				C 340	NCB21HK-103X	C CAPACITOR		
	C 103	NCS21HJ-561X	C CAPACITOR				C 341	QEKJ1AM-107Z	E CAPACITOR	100MF 20% 10V	
	C 104	NCS21HJ-221X	C CAPACITOR				C 342	QEK41EM-475	E CAPACITOR	4.7MF 20% 25V	
	C 105	QEK40JM-227	E CAPACITOR	220MF 20% 6.3V			C 343	QET41CM-106	E CAPACITOR	10MF 20% 16V	
	C 106	NCB21HK-333X	C CAPACITOR				C 344	NCB21HK-472X	C CAPACITOR		
	C 107	QEK41EM-475	E CAPACITOR	4.7MF 20% 25V			C 345	NCS21HJ-331X	C CAPACITOR		
	C 108	NCB21HK-393X	C CAPACITOR				C 350	QFLM1HJ-102Z	M CAPACITOR	1000PF 5% 50V	
	C 110	NCS21HJ-221X	C CAPACITOR				CN301	QGF1205F1-06	CONNECTOR		
	C 111	QEK41HM-104	E CAPACITOR	.10MF 20% 50V			CN302	QGF1205F1-06	CONNECTOR		
	C 112	QEK41CM-106	E CAPACITOR	10MF 20% 16V			CN303	QGB2011M1-10	B TO B CONNECTO		
	C 113	NCB21HK-332X	C CAPACITOR				CN304	QGB2011M1-10	B TO B CONNECTO		
	C 114	QEK41EM-475	E CAPACITOR	4.7MF 20% 25V			CN305	QGF1205F1-10	CONNECTOR		
	C 115	NCB21HK-153X	C CAPACITOR				CN306	QGF1205F1-11	CONNECTOR		
	C 116	NCB21HK-822X	C CAPACITOR				D 307	HZM5.1NB2-X	CHIP Z DIODE CM		
	C 117	NCB21HK-223X	C CAPACITOR				D 308	HZM5.1NB2-X	CHIP Z DIODE CM		
	C 119	NCB21HK-563X	C CAPACITOR				D 309	MA704A-X	S.K.DIODE		
	C 120	NCS21HJ-330X	C CAPACITOR				IC301	BA3126N	IC		
	C 201	NCS21HJ-561X	C CAPACITOR				IC302	AN7345K	IC		
	C 202	NCS21HJ-331X	C CAPACITOR				IC303	BU4094BCF-X	IC		
	C 203	NCS21HJ-561X	C CAPACITOR				IC304	BU4094BCF-X	IC		
	C 204	NCS21HJ-221X	C CAPACITOR				L 202	QQR0779-001Z	INDUCTOR	EMC	
	C 205	QEK40JM-227	E CAPACITOR	220MF 20% 6.3V			L 301	QQR0620-001	OSC COIL(BIAS)		
	C 206	NCB21HK-333X	C CAPACITOR				L 303	QQL01BK-100Z	INDUCTOR		
	C 207	QEK41EM-475	E CAPACITOR	4.7MF 20% 25V			Q 102	DTC144TKA-X	TRANSISTOR		
	C 208	NCB21HK-393X	C CAPACITOR				Q 103	DTC144EKA-X	TRANSISTOR		
	C 210	NCS21HJ-221X	C CAPACITOR				Q 105	2SC3576-JVC-T	TRANSISTOR		
	C 211	QEK41HM-104	E CAPACITOR	.10MF 20% 50V			Q 202	DTC144TKA-X	TRANSISTOR		
	C 212	QEK41CM-106	E CAPACITOR	10MF 20% 16V			Q 203	DTC144EKA-X	TRANSISTOR		
	C 213	NCB21HK-332X	C CAPACITOR				Q 205	2SC3576-JVC-T	TRANSISTOR		
	C 214	QEK41EM-475	E CAPACITOR	4.7MF 20% 25V			Q 302	2SC2001/K/-T	TRANSISTOR		
	C 215	NCB21HK-153X	C CAPACITOR				Q 303	2SC2001/K/-T	TRANSISTOR		
	C 216	NCB21HK-822X	C CAPACITOR				Q 304	2SC3576-JVC-T	TRANSISTOR		
	C 217	NCB21HK-223X	C CAPACITOR				Q 305	2SC3576-JVC-T	TRANSISTOR		
	C 219	NCB21HK-563X	C CAPACITOR				Q 306	2SC2412K/RS/-X	CHIP TRANSISTOR		
	C 220	NCS21HJ-330X	C CAPACITOR				Q 307	2SC2412K/RS/-X	CHIP TRANSISTOR		
	C 301	QEK41CM-106	E CAPACITOR	10MF 20% 16V			Q 308	2SC2412K/RS/-X	CHIP TRANSISTOR		
	C 302	QEK41CM-476	E CAPACITOR	47MF 20% 16V			Q 309	2SC2412K/RS/-X	CHIP TRANSISTOR		
	C 303	QEK41CM-226	E CAPACITOR	22MF 20% 16V			Q 312	2SB562/C/-T	TRANSISTOR		
	C 304	QEK41EM-475	E CAPACITOR	4.7MF 20% 25V			Q 313	2SC2412K/RS/-X	CHIP TRANSISTOR		
	C 305	NCB21HK-393X	C CAPACITOR				Q 314	2SB562/C/-T	TRANSISTOR		
	C 306	QEK40JM-227	E CAPACITOR	220MF 20% 6.3V			Q 315	2SC2412K/RS/-X	CHIP TRANSISTOR		
	C 308	NCB21HK-562X	C CAPACITOR				Q 316	2SA952/LK/-T	TRANSISTOR		
	C 309	NCB21HK-562X	C CAPACITOR				Q 317	DTC124EKA-X	TRANSISTOR		
	C 310	NCB21HK-223X	C CAPACITOR				Q 321	DTC144EKA-X	TRANSISTOR		
	C 311	NCB21HK-682X	C CAPACITOR				Q 322	DTC144EKA-X	TRANSISTOR		
	C 313	QEKJ1AM-107Z	E CAPACITOR	100MF 20% 10V			Q 323	2SC2412K/RS/-X	CHIP TRANSISTOR		
	C 314	QCZ0205-155Z	ML C CAPACITOR	1.5MF			R 102	NRSA02J-102X	MG RESISTOR		
	C 315	QCZ0205-155Z	ML C CAPACITOR	1.5MF			R 103	NRSA02J-183X	MG RESISTOR		
	C 316	QFG32AJ-103Z	PP CAPACITOR	.010MF 5% 100V			R 105	NRSA02J-220X	MG RESISTOR		
	C 318	NCB21HK-103X	C CAPACITOR				R 106	NRSA02J-392X	MG RESISTOR		
	C 319	QFG32AJ-821Z	TF CAPACITOR	820PF 5% 100V			R 107	NRSA02J-123X	MG RESISTOR		
	C 321	NCB21HK-103X	C CAPACITOR				R 108	NRSA02J-222X	MG RESISTOR		
	C 322	QFG32AJ-152Z	M CAPACITOR	1500PF 5% 100V			R 109	NRSA02J-152X	MG RESISTOR		
	C 327	QEK41CM-476	E CAPACITOR	47MF 20% 16V			R 111	NRSA02J-562X	MG RESISTOR		
	C 328	NCS21HJ-151X	C CAPACITOR				R 112	NRSA02J-122X	MG RESISTOR		
	C 329	NCS21HJ-151X	C CAPACITOR				R 113	NRSA02J-271X	MG RESISTOR		
	C 330	NCS21HJ-151X	C CAPACITOR				R 114	NRSA02J-391X	MG RESISTOR		
	C 332	NCS21HJ-151X	C CAPACITOR				R 115	NRSA02J-332X	MG RESISTOR		
	C 335	NCB21HK-103X	C CAPACITOR				R 117	NRSA02J-332X	MG RESISTOR		
	C 336	NCB21HK-103X	C CAPACITOR				R 118	NRSA02J-152X	MG RESISTOR		
	C 337	NCB21HK-103X	C CAPACITOR				R 119	NRSA02J-203X	MG RESISTOR		
	C 338	NCB21HK-103X	C CAPACITOR				R 120	NRSA02J-102X	MG RESISTOR		

■ Electrical parts list

(Head amplifier&mechanism control board) Block No. 15

△	Item	Parts number	Parts name	Remarks	Area
	R 121	NRSA02J-122X	MG RESISTOR		
	R 202	NRSA02J-102X	MG RESISTOR		
	R 203	NRSA02J-183X	MG RESISTOR		
	R 205	NRSA02J-220X	MG RESISTOR		
	R 206	NRSA02J-392X	MG RESISTOR		
	R 207	NRSA02J-123X	MG RESISTOR		
	R 208	NRSA02J-222X	MG RESISTOR		
	R 209	NRSA02J-152X	MG RESISTOR		
	R 211	NRSA02J-562X	MG RESISTOR		
	R 212	NRSA02J-122X	MG RESISTOR		
	R 213	NRSA02J-271X	MG RESISTOR		
	R 214	NRSA02J-391X	MG RESISTOR		
	R 215	NRSA02J-332X	MG RESISTOR		
	R 217	NRSA02J-332X	MG RESISTOR		
	R 218	NRSA02J-152X	MG RESISTOR		
	R 219	NRSA02J-203X	MG RESISTOR		
	R 220	NRSA02J-102X	MG RESISTOR		
	R 221	NRSA02J-122X	MG RESISTOR		
	R 301	NRS181J-221X	MG RESISTOR		
	R 302	NRS181J-101X	MG RESISTOR		
	R 304	NRSA02J-393X	MG RESISTOR		
	R 305	NRSA02J-103X	MG RESISTOR		
	R 306	NRSA02J-103X	MG RESISTOR		
	R 307	NRSA02J-103X	MG RESISTOR		
	R 308	NRSA02J-152X	MG RESISTOR		
	R 309	NRSA02J-152X	MG RESISTOR		
	R 310	NRS181J-820X	MG RESISTOR		
	R 311	NRS181J-820X	MG RESISTOR		
	R 313	NRSA02J-3R3X	MG RESISTOR		
	R 314	NRSA02J-223X	MG RESISTOR		
	R 315	NRSA02J-100X	MG RESISTOR		
	R 316	NRSA02J-223X	MG RESISTOR		
	R 317	NRSA02J-100X	MG RESISTOR		
	R 318	NRSA02J-123X	MG RESISTOR		
	R 319	NRSA02J-152X	MG RESISTOR		
	R 321	NRSA02J-123X	MG RESISTOR		
	R 322	NRSA02J-152X	MG RESISTOR		
	R 327	NRSA02J-474X	MG RESISTOR		
	R 328	NRSA02J-222X	MG RESISTOR		
	R 329	NRSA02J-222X	MG RESISTOR		
	R 330	NRSA02J-0R0X	MG RESISTOR		
	R 335	NRSA02J-222X	MG RESISTOR		
	R 336	NRSA02J-392X	MG RESISTOR		
	R 338	NRSA02J-222X	MG RESISTOR		
	R 339	NRSA02J-222X	MG RESISTOR		
	R 341	NRSA02J-222X	MG RESISTOR		
	R 343	NRSA02J-0R0X	MG RESISTOR		
	R 345	NRSA02J-222X	MG RESISTOR		
	R 346	NRSA02J-0R0X	MG RESISTOR		
	R 347	NRSA02J-392X	MG RESISTOR		
	R 348	NRSA02J-222X	MG RESISTOR		
	R 350	NRSA02J-472X	MG RESISTOR		
	R 351	NRSA02J-151X	MG RESISTOR		
	R 353	NRSA02J-472X	MG RESISTOR		
	R 354	NRSA02J-151X	MG RESISTOR		
	R 355	NRSA02J-332X	MG RESISTOR		
	R 357	NRSA02J-103X	MG RESISTOR		
	R 358	NRSA02J-222X	MG RESISTOR		
	R 359	NRSA02J-123X	MG RESISTOR		
	R 360	NRSA02J-433X	MG RESISTOR		
	R 361	NRSA02J-183X	MG RESISTOR		
	R 362	NRSA02J-123X	MG RESISTOR		
	R 363	NRSA02J-183X	MG RESISTOR		

△	Item	Parts number	Parts name	Remarks	Area
	R 364	NRSA02J-433X	MG RESISTOR		
	R 365	NRSA02J-203X	MG RESISTOR		
	R 366	NRSA02J-123X	MG RESISTOR		
	R 367	NRSA02J-102X	MG RESISTOR		
	R 368	NRSA02J-391X	MG RESISTOR		
	R 369	NRSA02J-391X	MG RESISTOR		
	R 371	NRS181J-222X	MG RESISTOR		
	R 374	NRSA02J-912X	MG RESISTOR		
	R 375	NRSA02J-683X	MG RESISTOR		
	R 376	NRS181J-6R8X	MG RESISTOR		
	VR101	QVP0008-503Z	SEMI V RESISTOR		
	VR201	QVP0008-503Z	SEMI V RESISTOR		
	VR301	QVP0008-103Z	SEMI V RESISTOR		
	WIRE	EWR34D-10CS	FLAT WIRE		

■ Electrical parts list (Switch board A)

Block No. 16

△	Item	Parts number	Parts name	Remarks	Area
	CN 1	QGB2011L1-10	B TO B CONNECTO		
	D 1	1SR139-400-T2	SI DIODE		
	IC 1	SG-105F3-BB,C	PHOTO SENSER		
	P 1	QNZ0104-001	POST PIN		
	SW 2	QSW0832-001	LEAF SWITCH	TAPE	
	SW 4	QSW0832-001	LEAF SWITCH	70U	
	SW 6	QSW0507-001	SWITCH		

■ Electrical parts list (Switch board B)

Block No. 17

△	Item	Parts number	Parts name	Remarks	Area
	CN 1	QGB2011L1-10	B TO B CONNECTO		
	D 1	1SR139-400-T2	SI DIODE		
	IC 1	SG-105F3-BB,C	PHOTO SENSER		
	P 1	QNZ0104-001	POST PIN		
	SW 1	QSW0832-001	LEAF SWITCH	R.REC	
	SW 2	QSW0832-001	LEAF SWITCH	TAPE	
	SW 4	QSW0832-001	LEAF SWITCH	70U	
	SW 5	QSW0832-001	LEAF SWITCH	F.REC	
	SW 6	QSW0507-001	SWITCH		

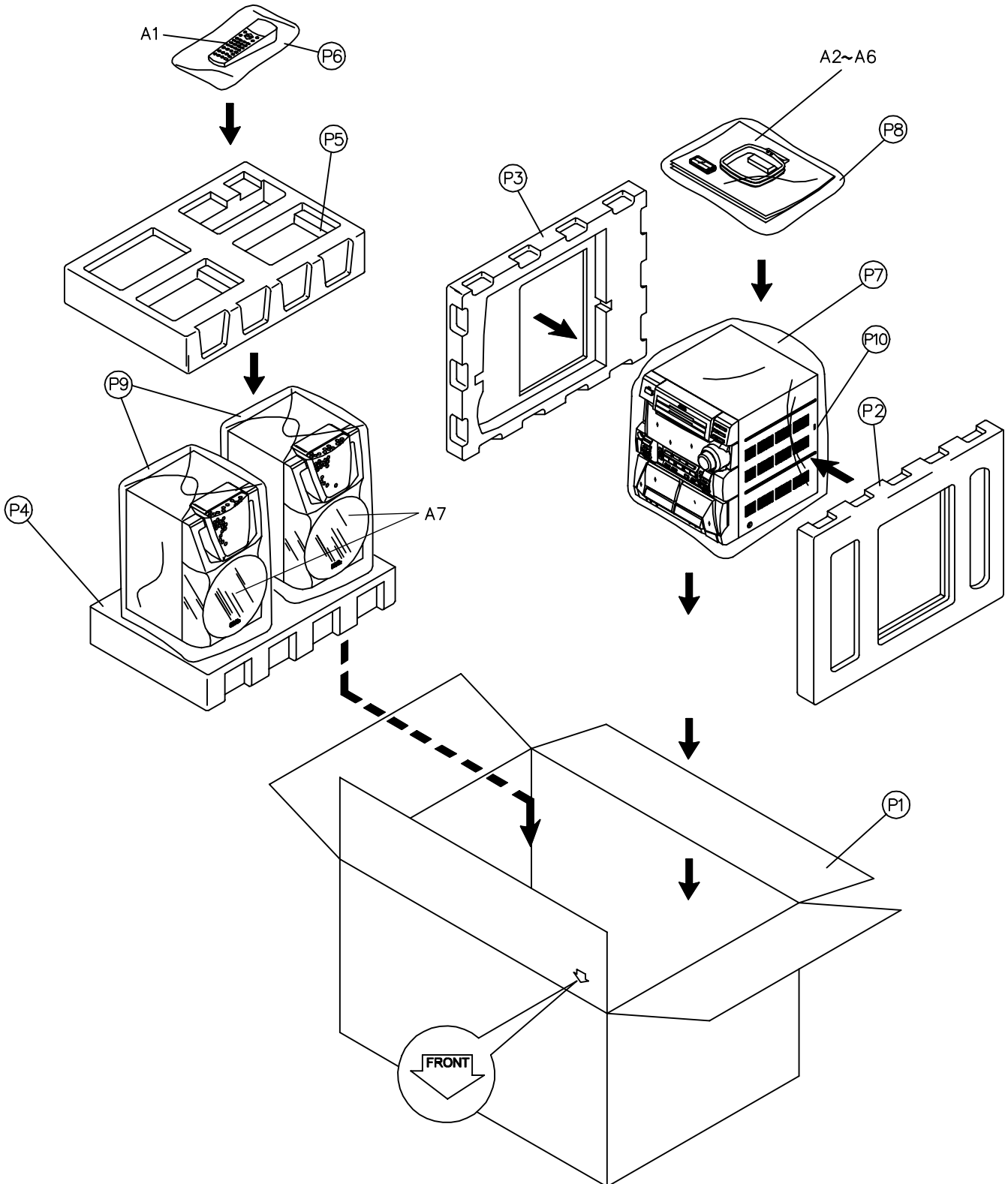
Packing materials and accessories parts list

Block No.

M	5	M	M
---	---	---	---

Block No.

M	6	M	M
---	---	---	---



Parts list(Packing)

Block No. M5MM

△	Item	Parts number	Parts name	Q'ty	Description	Area
	P 1	GJ560500010101	PACKING CASE	1		
	P 2	GJ560400120101	POLYFOAM	1	RIGHT	
	P 3	GJ560400110101	POLYFOAM	1	LEFT	
	P 4	GJ560400160101	POLYFOAM	1	BOTTOM	
	P 5	GJ560400150101	POLYFOAM	1	TOP	
	P 6	GJ740082550400	POLY BAG	1	REMOTE CONTROL	
	P 7	GJ740666420300	POLY BAG	1	SET	
	P 8	GJ740362550000	POLY BAG	1	INSTRUCTIONS	
	P 9	GJ740486230300	POLY BAG	2	SPEAKER BOX	
	P 10	GJ740122550000	POLY BAG	1	AC-POWER CORD	

Parts list(Accessories)

Block No. M6MM

△	Item	Parts number	Parts name	Q'ty	Description	Area
	A 1	GJA1002007001C	REMOTE CONTROL	1	RM-SMXJ111V	
	A 2	GJA2052001001C	LOOP ANTENNA	1	HST-D4A	
	A 3	-----	BATTERY	1		
	A 4	GJ773012450102	INSTRUCTIONS	1	ENG,CHI,ARA	
	A 5	GJ351001402431	ANTENNA WIRE	1		
△	A 6	GJ338030020002	PLUG CONVERSION	1		UX
△		GJ156900831	ADAPTOR CONVERSION	1		US
	A 7	MXJ300U-SPBOX	SPEAKER BOX	2	(PAIR)L&R	